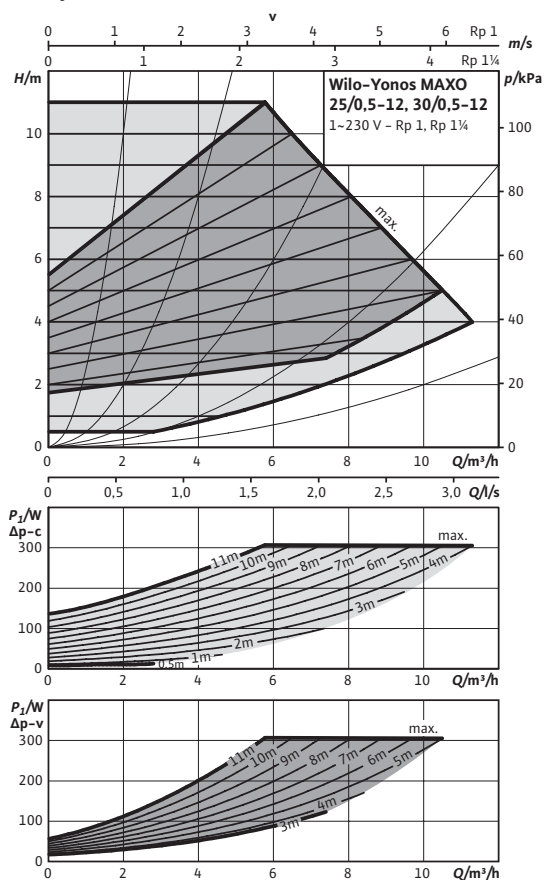
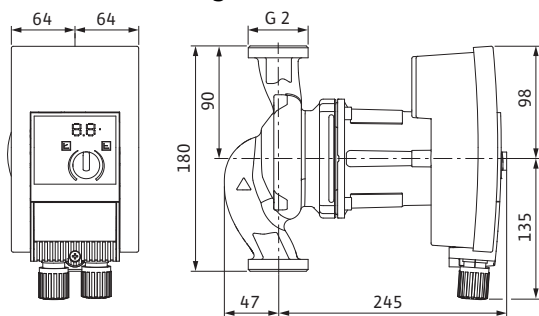


## Data sheet: Wilo-Yonos MAXO 30/0,5-12

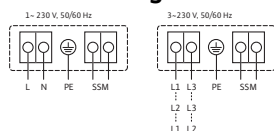
### Pump curves



### Dimension drawing



### Terminal diagram



Collective fault signal  
(NC contact according to VDI 3814, load capacity 1 A,  
250 V ~)

SSM:

For function, see Wilo catalogue, chapter "Pump  
management Wilo control, planning guide"

### Approved fluids (other fluids on request)

- Heating water (in accordance with VDI 2035)
- Water-glycol mixtures (max. 1:1; above 20% admixture, the pumping data must be checked)

### Permitted field of application

Temperature range at max. ambient temperature +40 °C	-20...+110 °C
Maximum permissible operating pressure	$P_{max}$ 10 bar

### Pipe connections

Threaded pipe union	Rp 1½
Thread	G 2
Overall length	$l_o$ 180 mm

### Motor/electronics

Energy efficiency index (EEI)	≤ 0.23
Electromagnetic compatibility	EN 61800-3
Emitted interference	EN 61000-6-3
Interference resistance	EN 61000-6-2
Speed control	Frequency converter
Protection class	IP X4D
Insulation class	F
Mains connection	1~230 V, 50/60 Hz
Nominal motor power	$P_2$ 200 W
Speed	$n$ 1000 - 4800 rpm
Power consumption	$P_1$ 10 - 305 W
Current consumption	$I$ 0.15 - 1.33 A
Motor protection	integrated
Threaded cable connection	$PG$ M20x1.5

### Materials

Pump housing	Grey cast iron (EN-GJL-200)
Impeller	Plastic (PPE - 30% GF)
Pump shaft	Stainless steel (X46Cr13)
Bearing	Carbon, metal impregnated

### Minimum suction head at suction port for avoiding cavitation at water pumping temperature

Minimum suction head at 50 / 95 / 110 °C	0.5 / 3 / 10 m
--	----------------

## Data sheet: Wilo-Yonos MAXO 30/0,5-12



### Information for order placements

Make	Wilo
Type	Yonos MAXO 30/0,5-12
Art no.	2120644
Weight approx.	<i>m</i> 5.40 kg