



Wilo-Yonos PARA High Flow 25/10, 30/10



Design

Glandless circulation pump with cast iron pump housing and threaded connection. EC-motor with automatic power adjustment.

Application

Hot-water heating systems of all kinds, closed cooling circuits, industrial circulation systems, circulation in solar thermal and geothermal systems.

Type key

Example: **Wilo-Yonos PARA HF 25/10**

Yonos Electronically controlled high-efficiency pump

PARA pump range adapted to requirements of the OEM market

HF High Flow

25/ Nominal diameter:
25 threading 1 1/2"
30 threading 2"

10 Nominal delivery head range [m]

Technical data

Approved fluids (other fluids on request)

Heating water (in accordance with VDI 2035) •

Water-glycol mixtures (max. 1:1; above 20% admixture, the pumping data must be checked) •

Power

Energy efficiency index (EEI) ≤ 0.23

Max. delivery head H_{max} 10.00 m

Max. volume flow Q_{max} 8.5 m³/h

Permitted field of application

Temperature range at max. ambient temperature of 25°C = -20 to 110°C

Maximum static pressure p 10 bar

Electrical connection

Mains connection 1~230 V, 50/60 Hz

Motor/electronics

Electromagnetic compatibility Conformity with EMC Directive 2004/108/EC

Emitted interference EN 61000-6-3

Speed control Frequency converter

Interference resistance EN 61000-6-2

Protection class IP X4D

Insulation class F

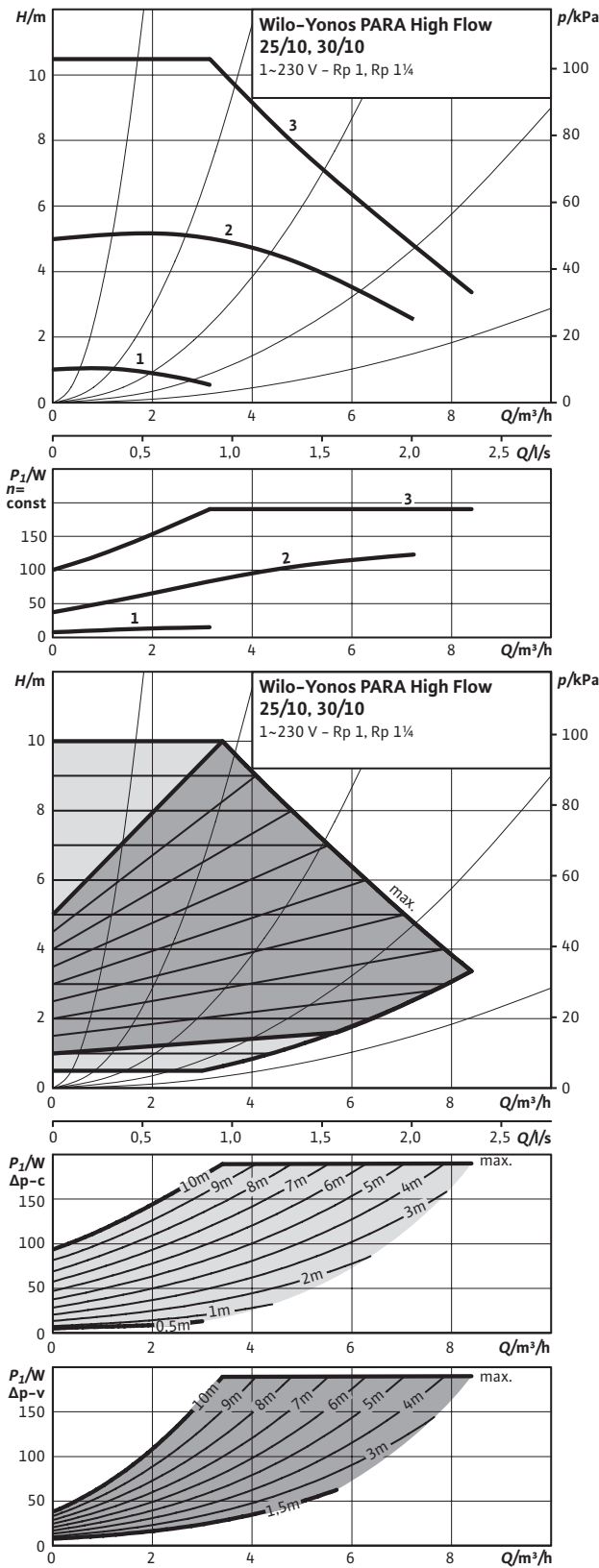
Minimum suction head at suction port for avoiding cavitation at water pumping temperature

Minimum suction head at 50 / 95 / 110 °C 0.5 / 3 / 10 m

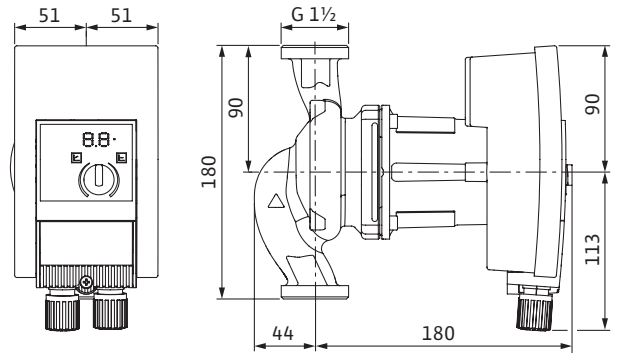
• = appropriate, – = not appropriate

Yonos PARA High Flow	Speed	Power consumption 1~230 V	Current at 1~230V	Motor protection
	n rpm	P_1 W	I A	
HF 25/10	1000 – 4400	5 – 190	0.08 – 1.30	integrated
HF 30/10	1000 – 4400	5 – 190	0.08 – 1.30	integrated

Pump curves



Dimension drawing 25/7, 30/7



Technical data

Designation	Yonos PARA HF 25/10	Yonos PARA HF 30/10
Threaded pipe union	Rp 1	Rp 1¼
Thread	G 1½	G 2
Overall length l_0	180 mm	
Weight approx. m	4.5 kg	4.6 kg
Dimensions $L I$	90 mm	

Materials

Pump housing	Grey cast iron (EN-GJL-200)
Impeller	Plastic (PPE - 30% GF)
Pump shaft	Stainless steel (X30CR13)
Bearing	Carbon, metal impregnated