
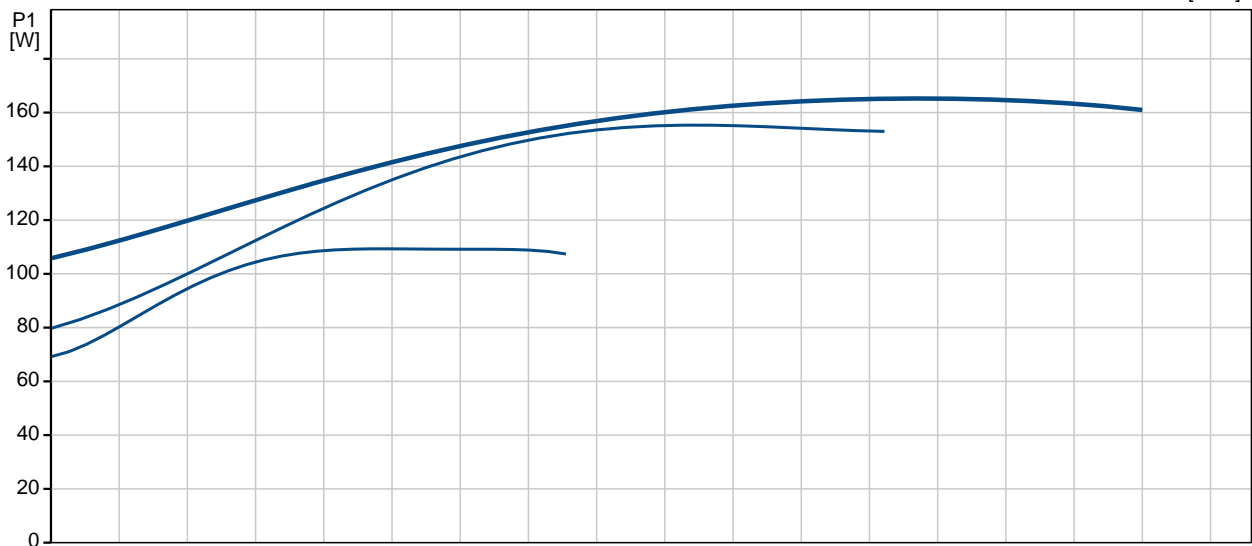
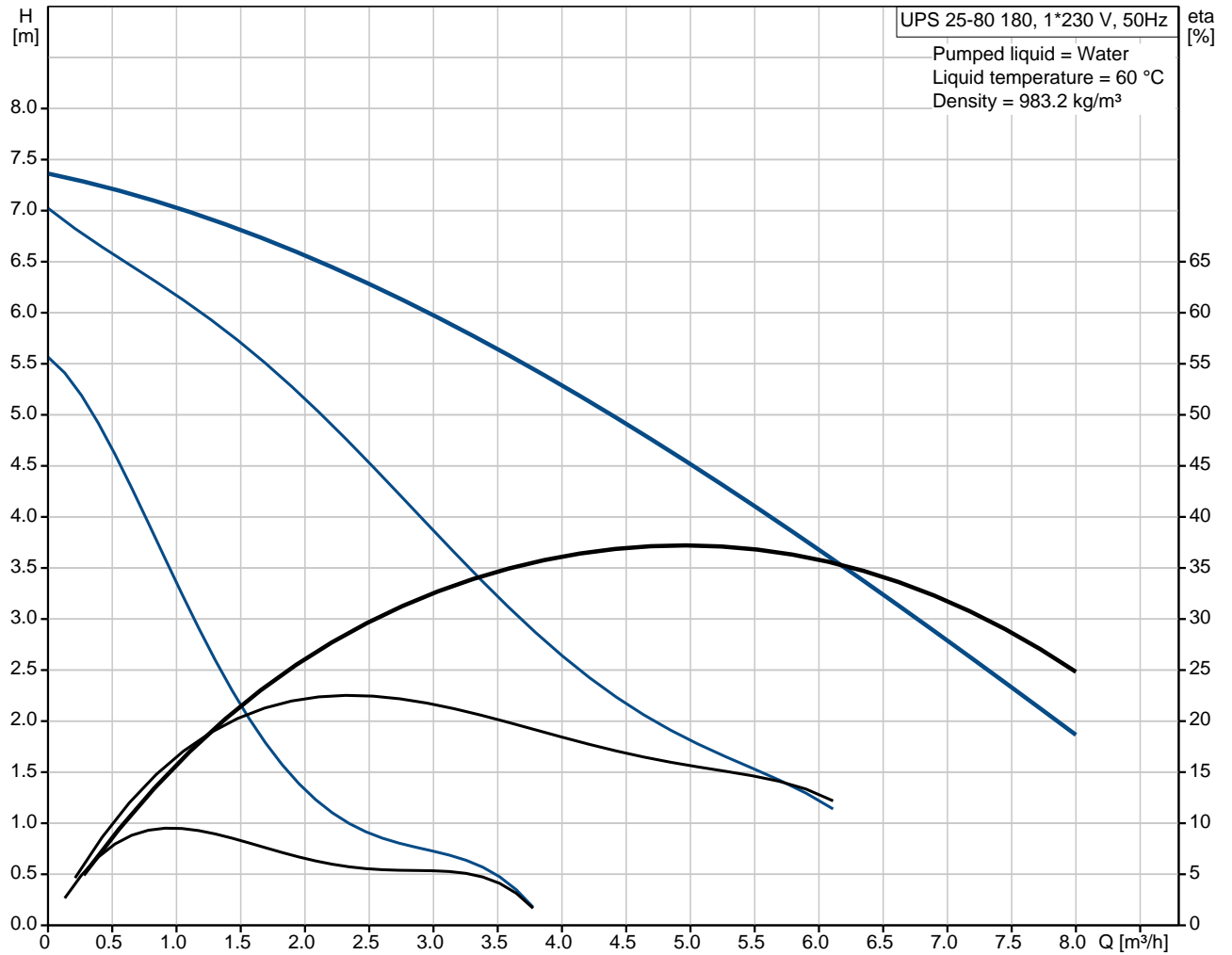


Position	Qty.	Description																										
		<p>UPS 25-80 180</p>  <p style="text-align: center;">Note! Product picture may differ from actual product</p> <p>Product No.: 95906735</p> <p>The pump is of the canned rotor type, i.e. pump and motor form an integral unit without shaft seal and with only two gaskets for sealing. The bearings are lubricated by the pumped liquid. The pump has 3-step speed selector. The pump is characterized by:</p> <ul style="list-style-type: none"> * Ceramic shaft and radial bearings. * Carbon axial bearing. * Stainless steel rotor can and bearing plate. * Corrosion-resistant impeller, Composite, PES/PP. * Cast iron pump housing. <p>The motor is a 1-phase motor. No additional motor protection is required.</p> <p>Liquid:</p> <table> <tr> <td>Pumped liquid:</td> <td>Water</td> </tr> <tr> <td>Liquid temperature range:</td> <td>-25 .. 110 °C</td> </tr> <tr> <td>Liquid temp:</td> <td>60 °C</td> </tr> <tr> <td>Density:</td> <td>983.2 kg/m³</td> </tr> <tr> <td>Kinematic viscosity:</td> <td>1 mm²/s</td> </tr> </table> <p>Technical:</p> <table> <tr> <td>TF class:</td> <td>110</td> </tr> </table> <p>Materials:</p> <table> <tr> <td>Pump housing:</td> <td>Cast iron EN-JL1030 ASTM 30 B</td> </tr> <tr> <td>Impeller:</td> <td>Composite, PES/PP</td> </tr> </table> <p>Installation:</p> <table> <tr> <td>Amb. max at 80 dgr C liquid:</td> <td>40 °C</td> </tr> <tr> <td>Maximum operating pressure:</td> <td>10 bar</td> </tr> <tr> <td>Pipe connection:</td> <td>G 1 1/2</td> </tr> <tr> <td>Pressure stage:</td> <td>PN 10</td> </tr> <tr> <td>Port-to-port length:</td> <td>180 mm</td> </tr> </table>	Pumped liquid:	Water	Liquid temperature range:	-25 .. 110 °C	Liquid temp:	60 °C	Density:	983.2 kg/m ³	Kinematic viscosity:	1 mm ² /s	TF class:	110	Pump housing:	Cast iron EN-JL1030 ASTM 30 B	Impeller:	Composite, PES/PP	Amb. max at 80 dgr C liquid:	40 °C	Maximum operating pressure:	10 bar	Pipe connection:	G 1 1/2	Pressure stage:	PN 10	Port-to-port length:	180 mm
Pumped liquid:	Water																											
Liquid temperature range:	-25 .. 110 °C																											
Liquid temp:	60 °C																											
Density:	983.2 kg/m ³																											
Kinematic viscosity:	1 mm ² /s																											
TF class:	110																											
Pump housing:	Cast iron EN-JL1030 ASTM 30 B																											
Impeller:	Composite, PES/PP																											
Amb. max at 80 dgr C liquid:	40 °C																											
Maximum operating pressure:	10 bar																											
Pipe connection:	G 1 1/2																											
Pressure stage:	PN 10																											
Port-to-port length:	180 mm																											

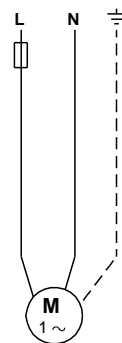
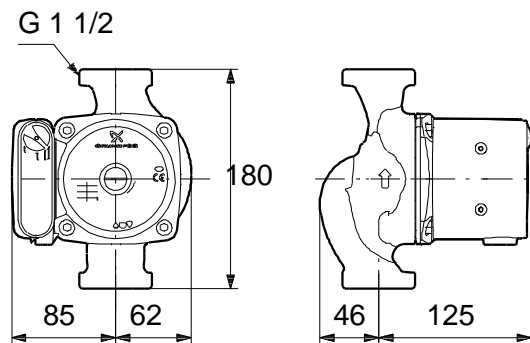
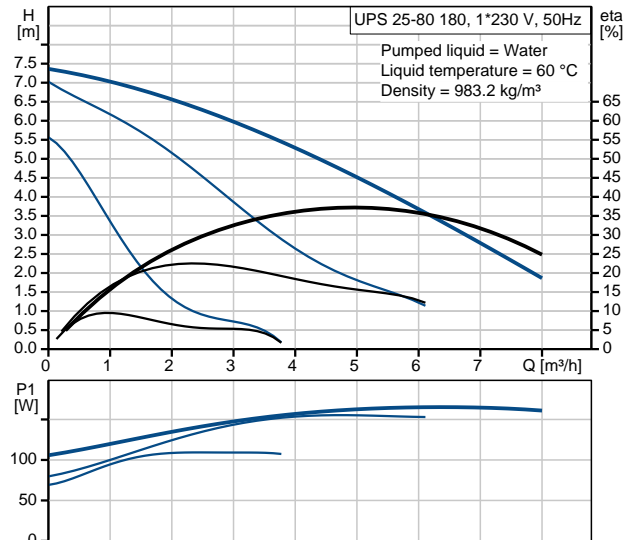
Position	Qty.	Description
		<p>Electrical data:</p> <p>C run: 4 μF</p> <p>Power input in speed 1: 110 W</p> <p>Power input in speed 2: 155 W</p> <p>Max. power input: 165 W</p> <p>Mains frequency: 50 Hz</p> <p>Rated voltage: 1 x 230 V</p> <p>Current in speed 1: 0.5 A</p> <p>Current in speed 2: 0.7 A</p> <p>Current in speed 3: 0.7 A</p> <p>Capacitor size - run: 4 μF</p> <p>Enclosure class (IEC 34-5): IP44</p> <p>Insulation class (IEC 85): F</p> <p>Others:</p> <p>Net weight: 4.4 kg</p> <p>Gross weight: 5.2 kg</p> <p>Shipping volume: 0.008 m³</p>

95906735 UPS 25-80 180 50 Hz

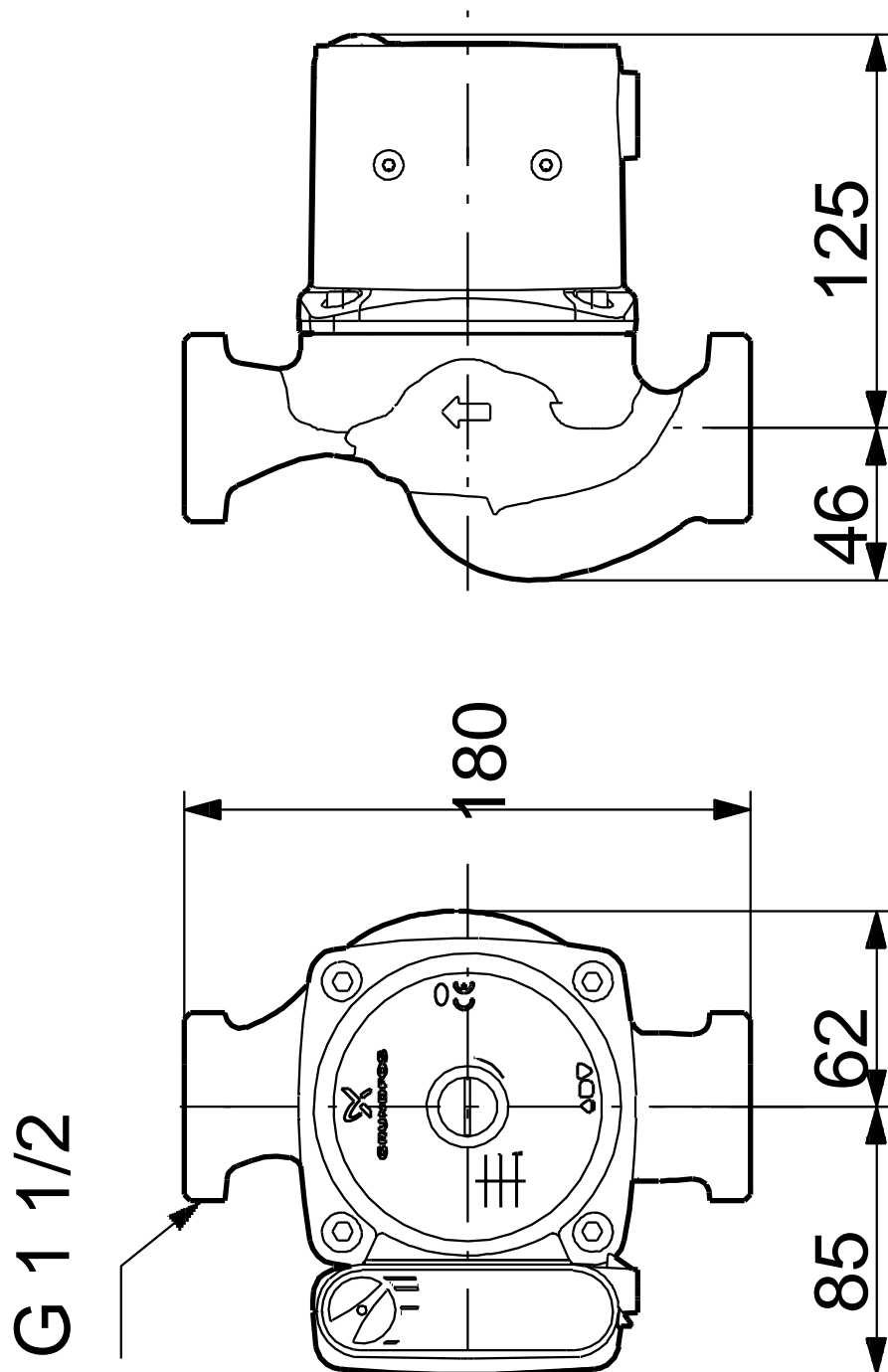


Project: -
Reference Number: -

Description	Value
General information:	
Product name:	UPS 25-80 180
Product No:	95906735
EAN number:	5700315391736
Price:	On request
Technical:	
Speed no:	3
Head max:	80 dm
TF class:	110
Materials:	
Pump housing:	Cast iron EN-JL1030
Impeller:	Composite, PES/PP
Installation:	
Amb. max at 80 dgr C liquid:	40 °C
Maximum operating pressure:	10 bar
Pipe connection:	G 1 1/2
Pressure stage:	PN 10
Port-to-port length:	180 mm
Liquid:	
Liquid temperature range:	-25 .. 110 °C
Kinematic viscosity:	1 mm ² /s
Electrical data:	
C run:	4 µF
Power input in speed 1:	110 W
Power input in speed 2:	155 W
Max. power input:	165 W
Mains frequency:	50 Hz
Rated voltage:	1 x 230 V
Current in speed 1:	0.5 A
Current in speed 2:	0.7 A
Current in speed 3:	0.7 A
Capacitor size - run:	4 µF
Enclosure class (IEC 34-5):	IP44
Insulation class (IEC 85):	F
Motor protec:	CONTACT
Thermal protec:	internal
Controls:	
Pos term box:	3H
Others:	
Net weight:	4.4 kg
Gross weight:	5.2 kg
Shipping volume:	0.008 m ³

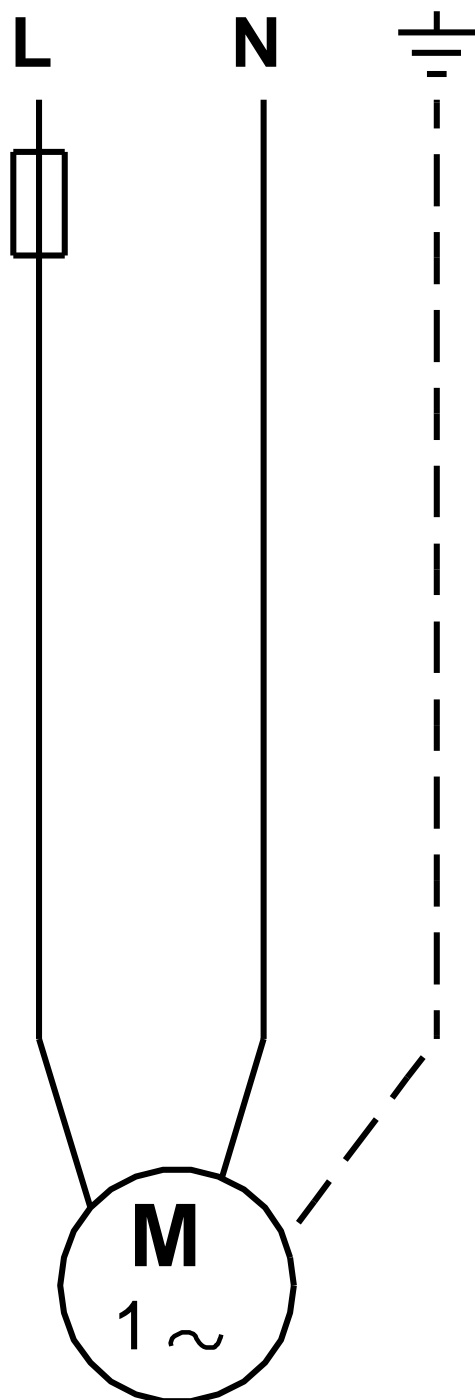


95906735 UPS 25-80 180 50 Hz



Note! All units are in [mm] unless others are stated.
Disclaimer: This simplified dimensional drawing does not show all details.

95906735 UPS 25-80 180 50 Hz



Note! All units are in [mm] unless others are stated.