

# Buffer tanks

## VKG-HC series

The VKG-HC series contains insulated tanks for hot/cold devices, which are generally used to increase the thermal inertia of the heating and conditioning device.

### Features

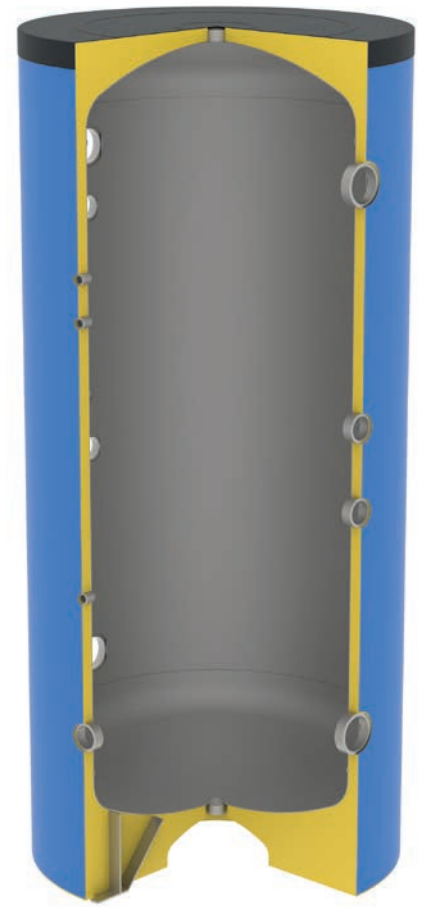
- ✓ **Material:** carbon steel
- ✓ **Treatment:** external anti-rust coating
- ✓ **Insulation:**
  - Rigid foam with a thickness of 30 mm for vertical tanks of up to 1000 l
  - Double insulation (elastomere + polyurethane) for larger capacities, special versions and horizontal tanks
    - closed-cell elastomere with a thickness of 10 mm with an anti-condensate function
    - flexible polyurethane with a thickness of 40mm
- ✓ **External covering:** coloured PVC

### Operational limits

Min temperature	Max temperature	Max pressure
-10 °C	90 °C	5 bar

### Special versions

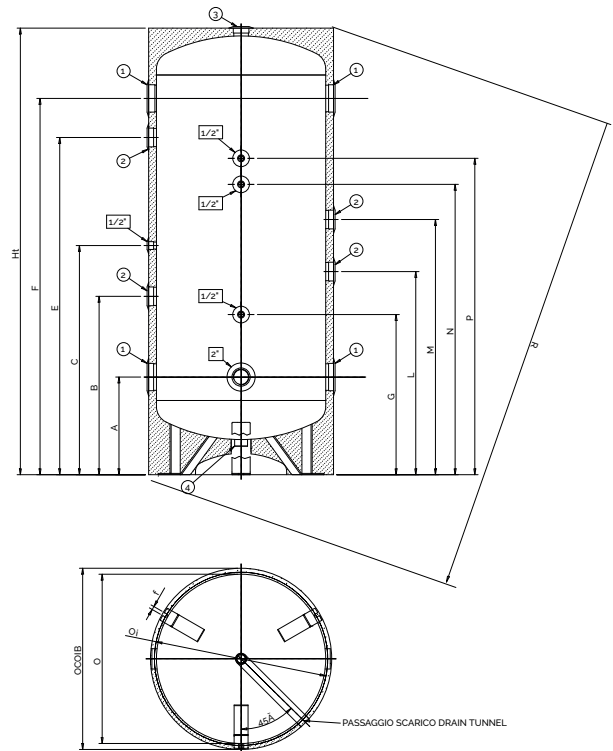
Special versions are available on demand: customized dimensions, flanged couplings, customized couplings, thicker insulation, etc...



capacity l	VKG-HC code	price	energy label	packaging	
				dimensions cm	weight kg
100	817010084X		B	49x49x107	25
200	817010085X		C	54x54x146,1	36
300	817010086X		D	64x64x154,7	48
500	817010087X		D	74x74x184,1	80
800	817010088X			88x88x186,1	106
1000	817010089X			94x94x214,6	130
1500	817010090X			117x117x230,5	218
2000	817010091X			123x123x262,5	260

# Buffer tanks: dimensions

VKG-HC series



VKG-HC series

cap. l	Ø																1	2	3	4	
	Ø	R	insul.	Ht	A	B	C	E	F	G	L	M	N	P	K	Øi					f
100	400	1056	460	950	285	445	-	605	765	395	-	/	655	-	125	424	17	1'1/2	1'1/2	1'1/4	1'1/4
200	450	1435	510	1341	320	580	-	850	1120	520	-	/	920	-	125	474	17	1'1/2	1'1/2	1'1/4	1'1/4
300	550	1552	610	1427	325	425	735	1035	1185	535	635	835	1010	1100	130	574	17	2'	1'1/2	1'1/4	1'1/4
500	650	1862	710	1721	380	690	885	1300	1450	620	785	985	1120	1220	140	670	17	3'	2'	1'1/4	1'1/4
800	790	1937	850	1741	395	685	885	1295	1445	610	820	1020	1115	1205	125	810	17	3'	2'	1'1/2	1'1/2
1000	850	2221	910	2026	410	950	1090	1560	1710	750	950	1150	1400	1500	120	870	17	3'	2'	1'1/2	1'1/2
1500	1000	2450	1100	2185	500	1040	1180	1650	1800	840	1020	1220	1510	1610	165	880	17x45	3'	2'	1'1/2	1'1/2
2000	1100	2780	1200	2505	505	1345	1450	1955	2105	885	1180	1380	1815	1915	155	980	17x45	3'	2'	1'1/2	1'1/2