

RV-625-6C THE VICTORIAN 625
RV-982-6C THE VICTORIAN 982

Available in two heights and Styled to complement Arroll Victorian 4 column and two column cast iron radiators the six column adds that extra bit of heat output ideal for large areas where space is plentiful.



Arroll[®]

THE VICTORIAN 625

RADIATOR DIMENSIONS

Leg section height:	625mm
Middle section height:	547mm
Section length	51mm
Radiator depth:	217mm

INLET & EXIT

Bottom inlet to floor:	113mm
Top inlet to floor:	587mm
Pipe centres to skirting board:	101mm

HEAT OUTPUT PER SECTION

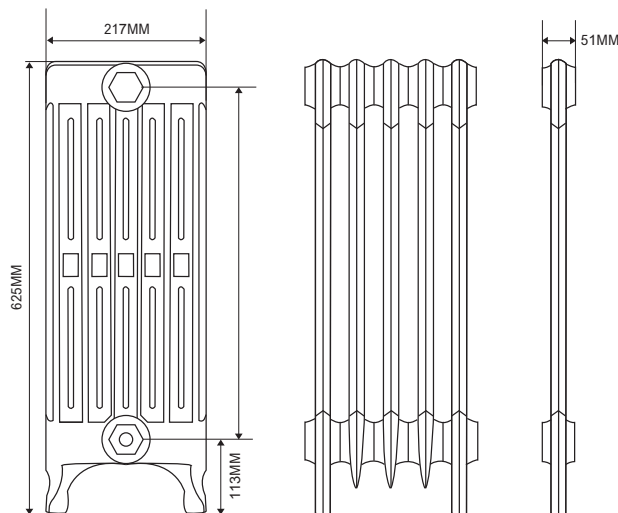
Delta ΔT 50°C	87Watts / 297BTUs
Delta ΔT 60°C:	101Watts / 375BTUs

RADIATOR WEIGHT

Empty weight per leg section:	9.05Kgs
Empty weight per middle section:	8.28Kgs
Filled weight per leg section:	10.03Kgs
Filled weight per middle section:	9.29Kgs

INTERNAL VOLUME

Leg section	1000ml
Middle section	1000ml



*All measurements and sizes are approximate.

Terms & Conditions

It is the policy of Arroll Limited to allow a 4% +/- tolerance on all measurements and sizes provided. It is not recommended that plumbers fit pipe centres prior to the arrival and fitting of the radiator. Warranty is subject to the installation of the radiator in accordance to the fitting instructions supplied. The Arroll name including its trademark is registered property of Arroll Limited, Belfast.

RV-625-6C - RV-982-6C THE VICTORIAN 625 & 982

RV-625-6C THE VICTORIAN 625
RV-982-6C THE VICTORIAN 982



Arroll®

THE VICTORIAN 982

RADIATOR DIMENSIONS

Leg section height:	982mm
Middle section height:	868mm
Section length	58mm
Radiator depth:	222mm

INLET & EXIT

Bottom inlet to floor:	103mm
Top inlet to floor:	890mm
Pipe centres to skirting board:	101mm

HEAT OUTPUT PER SECTION

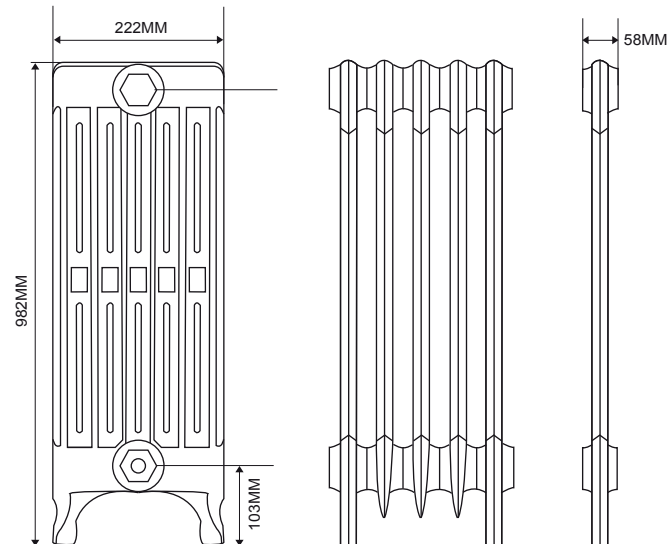
Delta ΔT 50°C	166Watts / 566BTUs
Delta ΔT 60°C:	212Watts / 725BTUs

RADIATOR WEIGHT

Empty weight per leg section:	13.68Kgs
Empty weight per middle section:	13.60Kgs
Filled weight per leg section:	14.98Kgs
Filled weight per middle section:	14.88Kgs

INTERNAL VOLUME

Leg section	1300ml
Middle section	1300ml



*All measurements and sizes are approximate.

Terms & Conditions
 It is the policy of Arroll Limited to allow a 4% +/- tolerance on all measurements and sizes provided. It is not recommended that plumbers fit pipe centres prior to the arrival and fitting of the radiator. Warranty is subject to the installation of the radiator in accordance to the fitting instructions supplied. The Arroll name including its trademark is registered property of Arroll Limited, Belfast.

RV-625-6C - RV-982-6C THE VICTORIAN 625 & 982