

**PRF 564/1c** THE ROCOCO 564

**PRF 663/1c** THE ROCOCO 663

**PRF 957/1c** THE ROCOCO 957

Beautifully embossed and scrolled the Rococo cast iron radiator comes in three heights and is designed for narrow places such as hallways and landings, this radiator model will also compliment Arrolls Parisian and Montmartre cast iron radiator.



**Arroll**<sup>®</sup>

THE ROCOCO 564

**RADIATOR DIMENSIONS**

Leg section height:	564mm
Middle section height:	500mm
Section length	78mm
Radiator depth:	115mm

**INLET & EXIT**

Bottom inlet to floor:	115mm
Top inlet to floor:	513mm
Pipe centres to skirting board:	56mm

**HEAT OUTPUT PER SECTION**

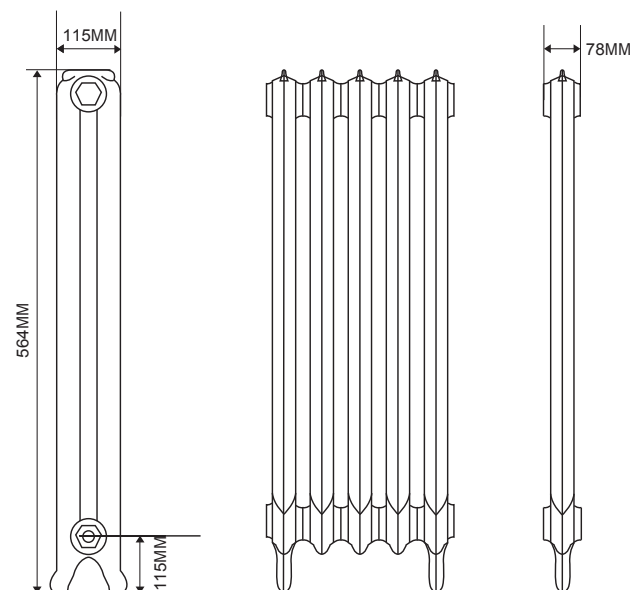
Delta $\Delta T$ 50°C	60Watts / 205BTUs
Delta $\Delta T$ 60°C:	75Watts /259BTUs

**RADIATOR WEIGHT**

Empty weight per leg section:	7.09Kgs
Empty weight per middle section:	5.71Kgs
Filled weight per leg section:	9.75gs
Filled weight per middle section:	9.50Kgs

**INTERNAL VOLUME**

Leg section	100ml
Middle section	100ml



\*All measurements and sizes are approximate.

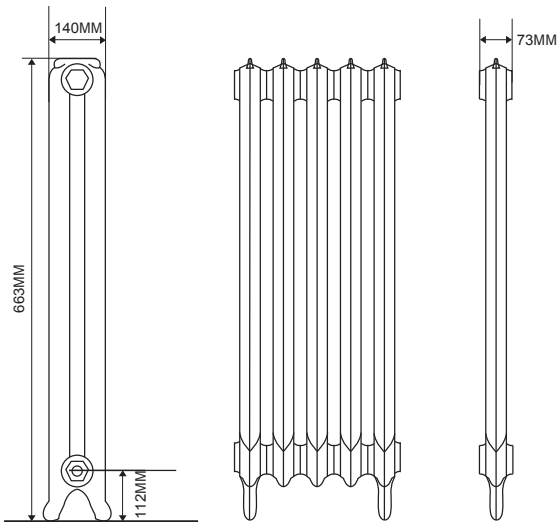
**Terms & Conditions**

It is the policy of Arroll Limited to allow a 4% +/- tolerance on all measurements and sizes provided. It is not recommended that plumbers fit pipe centres prior to the arrival and fitting of the radiator. Warranty is subject to the installation of the radiator in accordance to the fitting instructions supplied. The Arroll name including its trademark is registered property of Arroll Limited, Belfast.

© Copyright 2019 Arroll Limited

PRF 564/1c PRF 663/1c PRF 957/1c THE ROCOCO 564, 663 & 957

**PRF 564/1c** THE ROCOCO 564  
**PRF 663/1c** THE ROCOCO 663  
**PRF 957/1c** THE ROCOCO 957



THE ROCOCO 663

#### RADIATOR DIMENSIONS

Leg section height:	663mm
Middle section height:	603mm
Section length	73mm
Radiator depth:	140mm

#### INLET & EXIT

Bottom inlet to floor:	112mm
Top inlet to floor:	610mm
Pipe centres to skirting board:	70mm

#### HEAT OUTPUT PER SECTION

Delta $\Delta T$ 50°C	69Watts / 237BTUs
Delta $\Delta T$ 60°C:	87Watts / 299BTUs

#### RADIATOR WEIGHT

Empty weight per leg section:	8.01Kgs
Empty weight per middle section:	6.72Kgs
Filled weight per leg section:	9.48Kgs
Filled weight per middle section:	8.26Kgs

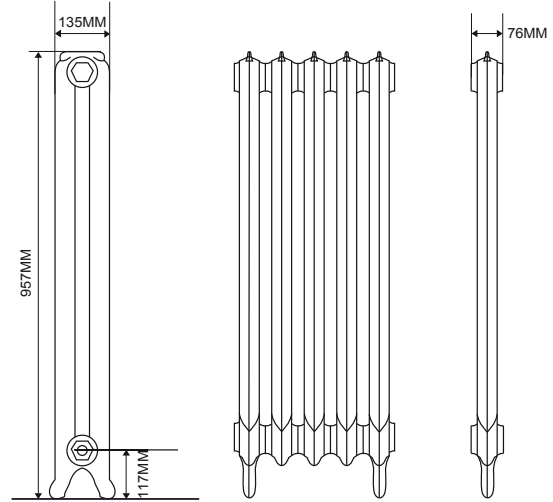
#### INTERNAL VOLUME

Leg section	1100ml
Middle section	1000ml

\*All measurements and sizes are approximate.

#### Terms & Conditions

It is the policy of Arroll Limited to allow a 4% +/- tolerance on all measurements and sizes provided. It is not recommended that plumbers fit pipe centres prior to the arrival and fitting of the radiator. Warranty is subject to the installation of the radiator in accordance to the fitting instructions supplied. The Arroll name including its trademark is registered property of Arroll Limited, Belfast.



THE ROCOCO 957

#### RADIATOR DIMENSIONS

Leg section height:	957mm
Middle section height:	890mm
Section length	76mm
Radiator depth:	135mm

#### INLET & EXIT

Bottom inlet to floor:	117mm
Top inlet to floor:	907mm
Pipe centres to skirting board:	66mm

#### HEAT OUTPUT PER SECTION

Delta $\Delta T$ 50°C	96Watts / 329BTUs
Delta $\Delta T$ 60°C:	121Watts / 415BTUs

#### RADIATOR WEIGHT

Empty weight per leg section:	10.67Kgs
Empty weight per middle section:	10.43Kgs
Filled weight per leg section:	12.79Kgs
Filled weight per middle section:	12.54Kgs

#### INTERNAL VOLUME

Leg section	1600ml
Middle section	1600ml

\*All measurements and sizes are approximate.