

RQ 560/2c THE PRINCE 560
RQ 800/2c THE PRINCE 800

The Prince is inspired by the traditional school radiator and is a perfect blend of simplicity and functionality. Its sleek curves and minimalist style lend a homely no-nonsense feel to industrial, contemporary and loft style spaces.



Arroll®

THE PRINCE 560

RADIATOR DIMENSIONS

Leg section height:	560mm
Middle section height:	495mm
Section length	78mm
Radiator depth:	190mm

INLET & EXIT

Bottom inlet to floor:	110mm
Top inlet to floor:	510mm
Pipe centres to skirting board:	95mm

HEAT OUTPUT PER SECTION

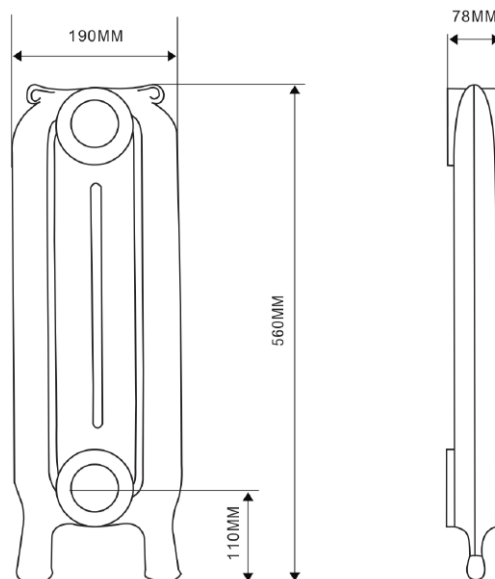
Delta ΔT 50°C	81Watts / 276BTUs
Delta ΔT 60°C:	101Watts / 348BTUs

RADIATOR WEIGHT

Empty weight per leg section:	9.24Kgs
Empty weight per middle section:	8.16Kgs
Filled weight per leg section:	11.82Kgs
Filled weight per middle section:	10.75Kgs

INTERNAL VOLUME

Leg section	2300ml
Middle section	2300ml



*All measurements and sizes are approximate.

Terms & Conditions
 It is the policy of Arroll Limited to allow a 4% +/- tolerance on all measurements and sizes provided. It is not recommended that plumbers fit pipe centres prior to the arrival and fitting of the radiator. Warranty is subject to the installation of the radiator in accordance to the fitting instructions supplied. The Arroll name including its trademark is registered property of Arroll Limited, Belfast.

RQ 560/2c - RQ 800/2c THE PRINCE 650 & 800

RQ 560/2c THE PRINCE 560
RQ 800/2c THE PRINCE 800



Arroll®

THE PRINCE 800

RADIATOR DIMENSIONS

Leg section height:	800mm
Middle section height:	778mm
Section length	79mm
Radiator depth:	195mm

INLET & EXIT

Bottom inlet to floor:	110mm
Top inlet to floor:	750mm
Pipe centres to skirting board:	95mm

HEAT OUTPUT PER SECTION

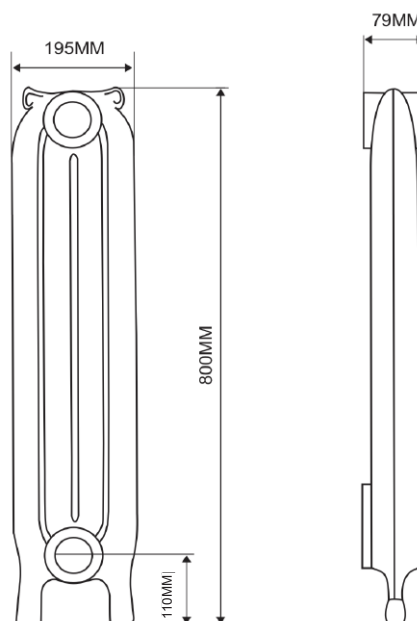
Delta ΔT 50°C	117Watts / 399BTUs
Delta ΔT 60°C:	148Watts / 504BTUs

RADIATOR WEIGHT

Empty weight per leg section:	11.97Kgs
Empty weight per middle section:	12.36Kgs
Filled weight per leg section:	15.41Kgs
Filled weight per middle section:	15.64Kgs

INTERNAL VOLUME

Leg section	2300ml
Middle section	3000ml



*All measurements and sizes are approximate.

Terms & Conditions

It is the policy of Arroll Limited to allow a 4% +/- tolerance on all measurements and sizes provided. It is not recommended that plumbers fit pipe centres prior to the arrival and fitting of the radiator. Warranty is subject to the installation of the radiator in accordance to the fitting instructions supplied. The Arroll name including its trademark is registered property of Arroll Limited, Belfast.

RQ 560/2c - RQ 800/2c THE PRINCE 650 & 800