

**RL 450/1** THE PEERLESS 450  
**RL 600/1** THE PEERLESS 600  
**RL 795/1** THE PEERLESS 795

Available in three heights the Arroll peerless cast iron radiator is ideal for narrow areas that also need good heat outputs. Its plain design will compliment other Arroll radiators such as the princess.



**Arroll®**

THE PEERLESS 450

**RADIATOR DIMENSIONS**

|                        |       |
|------------------------|-------|
| Leg section height:    | 450mm |
| Middle section height: | 396mm |
| Section length         | 75mm  |
| Radiator depth:        | 134mm |

**INLET & EXIT**

|                                 |       |
|---------------------------------|-------|
| Bottom inlet to floor:          | 105mm |
| Top inlet to floor:             | 405mm |
| Pipe centres to skirting board: | 67mm  |

**HEAT OUTPUT PER SECTION**

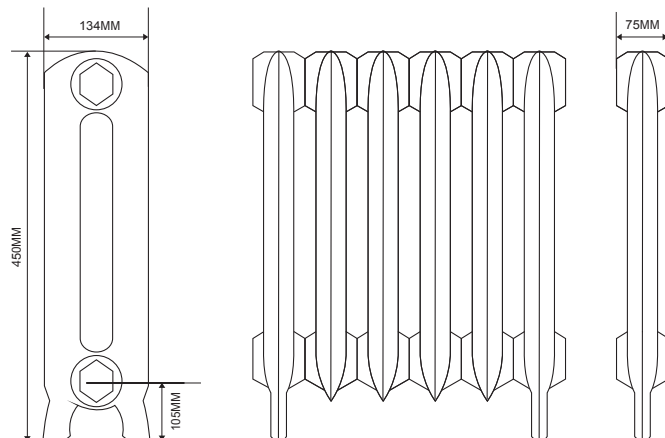
|                        |                   |
|------------------------|-------------------|
| Delta $\Delta T$ 50°C  | 50Watts / 171BTUs |
| Delta $\Delta T$ 60°C: | 63Watts / 216BTUs |

**RADIATOR WEIGHT**

|                                   |         |
|-----------------------------------|---------|
| Empty weight per leg section:     | 5.24Kgs |
| Empty weight per middle section:  | 4.59Kgs |
| Filled weight per leg section:    | 6.75Kgs |
| Filled weight per middle section: | 6.06Kgs |

**INTERNAL VOLUME**

|                |        |
|----------------|--------|
| Leg section    | 1100ml |
| Middle section | 1000ml |



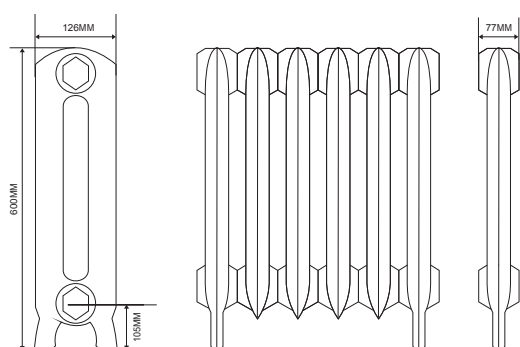
RL 450/1 - RL 600/1 - RL 795/1 THE PEERLESS 450, 600 & 795

\*All measurements and sizes are approximate.

**Terms & Conditions**  
 It is the policy of Arroll Limited to allow a 4% +/- tolerance on all measurements and sizes provided. It is not recommended that plumbers fit pipe centres prior to the arrival and fitting of the radiator. Warranty is subject to the installation of the radiator in accordance to the fitting instructions supplied. The Arroll name including its trademark is registered property of Arroll Limited, Belfast.

**RL 450/1** THE PEERLESS 450  
**RL 600/1** THE PEERLESS 600  
**RL 795/1** THE PEERLESS 795

**Arroll**<sup>®</sup>



THE PEERLESS 600

**RADIATOR DIMENSIONS**

|                        |       |
|------------------------|-------|
| Leg section height:    | 600mm |
| Middle section height: | 545mm |
| Section length         | 77mm  |
| Radiator depth:        | 126mm |

**INLET & EXIT**

|                                 |       |
|---------------------------------|-------|
| Bottom inlet to floor:          | 105mm |
| Top inlet to floor:             | 555mm |
| Pipe centres to skirting board: | 67mm  |

**HEAT OUTPUT PER SECTION**

|                        |                   |
|------------------------|-------------------|
| Delta $\Delta T$ 50°C  | 68Watts / 232BTUs |
| Delta $\Delta T$ 60°C: | 85Watts /293BTUs  |

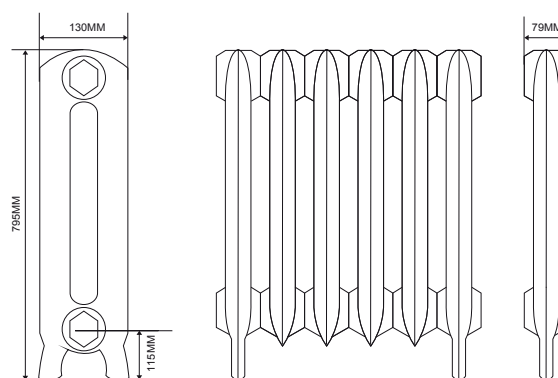
**RADIATOR WEIGHT**

|                                   |         |
|-----------------------------------|---------|
| Empty weight per leg section:     | 6.25Kgs |
| Empty weight per middle section:  | 6.71Kgs |
| Filled weight per leg section:    | 6.20Kgs |
| Filled weight per middle section: | 8.01Kgs |

**INTERNAL VOLUME**

|                |        |
|----------------|--------|
| Leg section    | 1300ml |
| Middle section | 1400ml |

\*All measurements and sizes are approximate.



THE PEERLESS 795

**RADIATOR DIMENSIONS**

|                        |       |
|------------------------|-------|
| Leg section height:    | 795mm |
| Middle section height: | 743mm |
| Section length         | 79mm  |
| Radiator depth:        | 130mm |

**INLET & EXIT**

|                                 |        |
|---------------------------------|--------|
| Bottom inlet to floor:          | 115mm  |
| Top inlet to floor:             | 748mm  |
| Pipe centres to skirting board: | 62.5mm |

**HEAT OUTPUT PER SECTION**

|                        |                   |
|------------------------|-------------------|
| Delta $\Delta T$ 50°C  | 87Watts / 297BTUs |
| Delta $\Delta T$ 60°C: | 109Watts /375BTUs |

**RADIATOR WEIGHT**

|                                   |          |
|-----------------------------------|----------|
| Empty weight per leg section:     | 9.72Kgs  |
| Empty weight per middle section:  | 8.04Kgs  |
| Filled weight per leg section:    | 11.57Kgs |
| Filled weight per middle section: | 11.38Kgs |

**INTERNAL VOLUME**

|                |        |
|----------------|--------|
| Leg section    | 1650ml |
| Middle section | 1550ml |

\*All measurements and sizes are approximate.

RL 450/1 - RL 600/1 - RL 795/1 THE PEERLESS 450, 600 & 795

**Terms & Conditions**

It is the policy of Arroll Limited to allow a 4% +/- tolerance on all measurements and sizes provided. It is not recommended that plumbers fit pipe centres prior to the arrival and fitting of the radiator. Warranty is subject to the installation of the radiator in accordance to the fitting instructions supplied. The Arroll name including its trademark is registered property of Arroll Limited, Belfast.