

- PRE 510/2** THE PARISIAN 510
- PRE 565/2** THE PARISIAN 565
- PRE 658/2** THE PARISIAN 658
- PRE 763/2** THE PARISIAN 763

When it comes to the Parisian, think pure, unashamed glamour. The evocative scrolling patterns make it our most distinguished radiator.

Our mould making artisans have painstakingly reproduced this 19th century French radiator using traditional sand casting techniques used by the craftsmen of that period.



Arroll®

THE PARISIAN 510

RADIATOR DIMENSIONS

Leg section height:	510mm
Middle section height:	450mm
Section length	80mm
Radiator depth:	215mm

INLET & EXIT

Bottom inlet to floor:	113mm
Top inlet to floor:	465mm
Pipe centres to skirting board:	113mm

HEAT OUTPUT PER SECTION

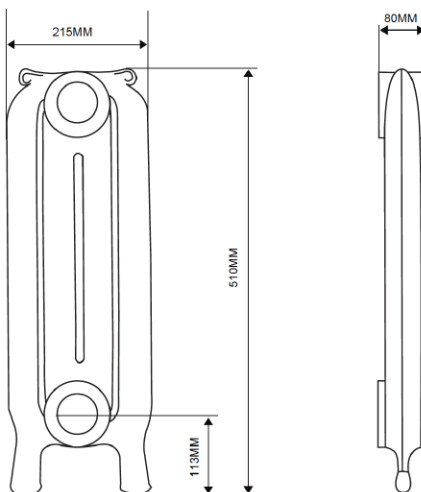
Delta ΔT 50°C:	78Watts / 266BTUs
Delta ΔT 60°C:	98Watts / 336BTUs

RADIATOR WEIGHT

Empty weight per leg section:	7.91Kgs
Empty weight per middle section:	6.12Kgs
Filled weight per leg section:	10.2Kgs
Filled weight per middle section:	8.45Kgs

INTERNAL VOLUME

Leg section	900ml
Middle section	1000ml



*All measurements and sizes are approximate.

Terms & Conditions

It is the policy of Arroll Limited to allow a 4% +/- tolerance on all measurements and sizes provided. It is not recommended that plumbers fit pipe centres prior to the arrival and fitting of the radiator. Warranty is subject to the installation of the radiator in accordance to the fitting instructions supplied. The Arroll name including its trademark is registered property of Arroll Limited, Belfast.

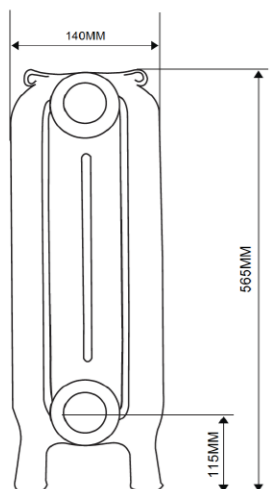
PRE 510/2 THE PARISIAN 510
 PRE 565/2 THE PARISIAN 565
 PRE 658/2 THE PARISIAN 658
 PRE 763/2 THE PARISIAN 763

Arroll®

PRE 510/2 THE PARISIAN 510
 PRE 565/2 THE PARISIAN 565
 PRE 658/2 THE PARISIAN 658
 PRE 763/2 THE PARISIAN 763



Arroll®



THE PARISIAN 565

RADIATOR DIMENSIONS

Leg section height:	565mm
Middle section height:	503mm
Section length	72mm
Radiator depth:	140mm

INLET & EXIT

Bottom inlet to floor:	115mm
Top inlet to floor:	515mm
Pipe centres to skirting board:	70mm

HEAT OUTPUT PER SECTION

Delta ΔT 50°C:	74Watts / 254BTUs
Delta ΔT 60°C:	94Watts / 321BTUs

RADIATOR WEIGHT

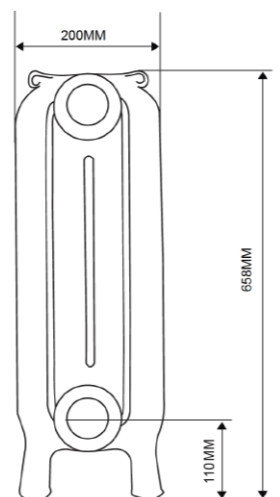
Empty weight per leg section:	6.98Kgs
Empty weight per middle section:	5.68Kgs
Filled weight per leg section:	8.40Kgs
Filled weight per middle section:	7.06Kgs

INTERNAL VOLUME

Leg section	1000ml
Middle section	1000ml

*All measurements and sizes are approximate.

Terms & Conditions
 It is the policy of Arroll Limited to allow a 4% +/- tolerance on all measurements and sizes provided. It is not recommended that plumbers fit pipe centres prior to the arrival and fitting of the radiator. Warranty is subject to the installation of the radiator in accordance to the fitting instructions supplied. The Arroll name including its trademark is registered property of Arroll Limited, Belfast.



THE PARISIAN 658

RADIATOR DIMENSIONS

Leg section height:	658mm
Middle section height:	593mm
Section length	76mm
Radiator depth:	200mm

INLET & EXIT

Bottom inlet to floor:	110mm
Top inlet to floor:	612mm
Pipe centres to skirting board:	100mm

HEAT OUTPUT PER SECTION

Delta ΔT 50°C:	100Watts / 341BTUs
Delta ΔT 60°C:	126Watts / 431BTUs

RADIATOR WEIGHT

Empty weight per leg section:	9.90Kgs
Empty weight per middle section:	8.44Kgs
Filled weight per leg section:	12.68Kgs
Filled weight per middle section:	11.22Kgs

INTERNAL VOLUME

Leg section	2400ml
Middle section	2400ml

*All measurements and sizes are approximate.

Terms & Conditions
 It is the policy of Arroll Limited to allow a 4% +/- tolerance on all measurements and sizes provided. It is not recommended that plumbers fit pipe centres prior to the arrival and fitting of the radiator. Warranty is subject to the installation of the radiator in accordance to the fitting instructions supplied. The Arroll name including its trademark is registered property of Arroll Limited, Belfast.

PRE 510/2 - PRE 565/2 - PRE 658/2 - PRE 763/2 THE PARISIAN 565, 658 & 763

THE PARISIAN 763

RADIATOR DIMENSIONS

Leg section height:	763mm
Middle section height:	700mm
Section length	80mm
Radiator depth:	210mm

INLET & EXIT

Bottom inlet to floor:	115mm
Top inlet to floor:	715mm
Pipe centres to skirting board:	105mm

HEAT OUTPUT PER SECTION

Delta ΔT 50°C:	115Watts / 392BTUs
Delta ΔT 60°C:	127Watts / 495BTUs

RADIATOR WEIGHT

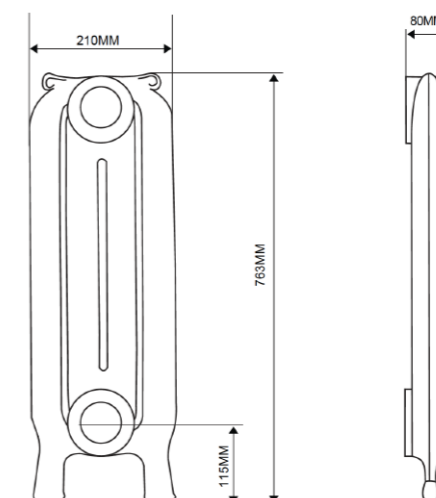
Empty weight per leg section:	10.22Kgs
Empty weight per middle section:	9.05Kgs
Filled weight per leg section:	13.95Kgs
Filled weight per middle section:	12.75Kgs

INTERNAL VOLUME

Leg section	3300ml
Middle section	3200ml

*All measurements and sizes are approximate.

Terms & Conditions
 It is the policy of Arroll Limited to allow a 4% +/- tolerance on all measurements and sizes provided. It is not recommended that plumbers fit pipe centres prior to the arrival and fitting of the radiator. Warranty is subject to the installation of the radiator in accordance to the fitting instructions supplied. The Arroll name including its trademark is registered property of Arroll Limited, Belfast.



PRE 510/2 - PRE 565/2 - PRE 658/2 - PRE 763/2 THE PARISIAN 565, 658 & 763