

**RE 485/6C** THE EDWARDIAN 485  
**RE 655/6C** THE EDWARDIAN 655  
**RE 770/6C** THE EDWARDIAN 770  
**RE 965/6C** THE EDWARDIAN 965

The sister model to Arroll's Edwardian four column cast iron radiator this model provides a higher heat output for larger areas. With 4 available heights to satisfy all areas within the home.



**Arroll**<sup>®</sup>

RE 485/6C - RE 655/6C RE 770/6C RE 960/6C THE EDWARDIAN 485, 655, 770 & 960

#### THE EDWARDIAN 485

##### RADIATOR DIMENSIONS

Leg section height:	485mm
Middle section height:	420mm
Section length	59mm
Radiator depth:	250mm

##### INLET & EXIT

Bottom inlet to floor:	100mm
Top inlet to floor:	450mm
Pipe centres to skirting board:	125mm

##### HEAT OUTPUT PER SECTION

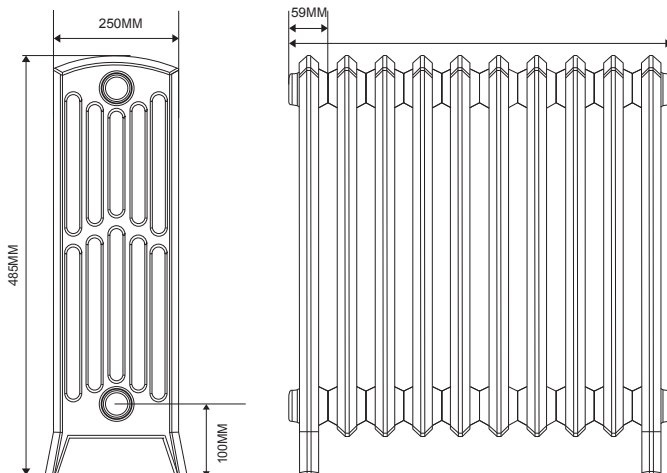
Delta $\Delta T$ 50°C	94Watts / 321BTUs
Delta $\Delta T$ 60°C:	119Watts / 405BTUs

##### RADIATOR WEIGHT

Empty weight per leg section:	7.22Kgs
Empty weight per middle section:	5.95Kgs
Filled weight per leg section:	8.38Kgs
Filled weight per middle section:	7.26Kgs

##### INTERNAL VOLUME

Leg section	350ml
Middle section	450ml

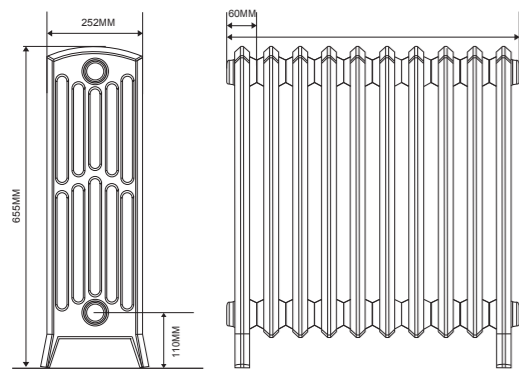


\*All measurements and sizes are approximate.

##### Terms & Conditions

It is the policy of Arroll Limited to allow a 4% +/- tolerance on all measurements and sizes provided. It is not recommended that plumbers fit pipe centres prior to the arrival and fitting of the radiator. Warranty is subject to the installation of the radiator in accordance to the fitting instructions supplied. The Arroll name including its trademark is registered property of Arroll Limited, Belfast.

**RE 485/6C** THE EDWARDIAN 485  
**RE 655/6C** THE EDWARDIAN 655  
**RE 770/6C** THE EDWARDIAN 770  
**RE 965/6C** THE EDWARDIAN 965

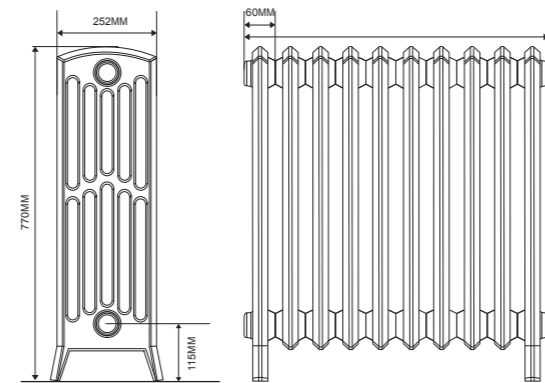


THE EDWARDIAN 655

RADIATOR DIMENSIONS	
Leg section height:	655mm
Middle section height:	600mm
Section length	60mm
Radiator depth:	252mm
INLET & EXIT	
Bottom inlet to floor:	110mm
Top inlet to floor:	615mm
Pipe centres to skirting board:	125mm
HEAT OUTPUT PER SECTION	
Delta $\Delta T$ 50°C	127Watts / 433BTUs
Delta $\Delta T$ 60°C:	160Watts / 547BTUs
RADIATOR WEIGHT	
Empty weight per leg section:	8.95Kgs
Empty weight per middle section:	8.36Kgs
Filled weight per leg section:	10.37Kgs
Filled weight per middle section:	9.83Kgs
INTERNAL VOLUME	
Leg section	1000ml
Middle section	1100ml

\*All measurements and sizes are approximate.

**Terms & Conditions**  
 It is the policy of Arroll Limited to allow a 4% +/- tolerance on all measurements and sizes provided. It is not recommended that plumbers fit pipe centres prior to the arrival and fitting of the radiator. Warranty is subject to the installation of the radiator in accordance to the fitting instructions supplied. The Arroll name including its trademark is registered property of Arroll Limited, Belfast.



THE EDWARDIAN 770

RADIATOR DIMENSIONS	
Leg section height:	770mm
Middle section height:	700mm
Section length	60mm
Radiator depth:	252mm
INLET & EXIT	
Bottom inlet to floor:	115mm
Top inlet to floor:	720mm
Pipe centres to skirting board:	125mm
HEAT OUTPUT PER SECTION	
Delta $\Delta T$ 50°C	148Watts / 505BTUs
Delta $\Delta T$ 60°C:	187Watts / 638BTUs
RADIATOR WEIGHT	
Empty weight per leg section:	10.69Kgs
Empty weight per middle section:	9.88Kgs
Filled weight per leg section:	12.28Kgs
Filled weight per middle section:	11.50Kgs
INTERNAL VOLUME	
Leg section	1100ml
Middle section	1200ml

\*All measurements and sizes are approximate.

**Terms & Conditions**  
 It is the policy of Arroll Limited to allow a 4% +/- tolerance on all measurements and sizes provided. It is not recommended that plumbers fit pipe centres prior to the arrival and fitting of the radiator. Warranty is subject to the installation of the radiator in accordance to the fitting instructions supplied. The Arroll name including its trademark is registered property of Arroll Limited, Belfast.

**Arroll®**

**RE 485/6C - RE 655/6C RE 770/6C RE 965/6C** THE EDWARDIAN 485, 655, 770 & 965

**RE 485/6C** THE EDWARDIAN 485  
**RE 655/6C** THE EDWARDIAN 655  
**RE 770/6C** THE EDWARDIAN 770  
**RE 965/6C** THE EDWARDIAN 965

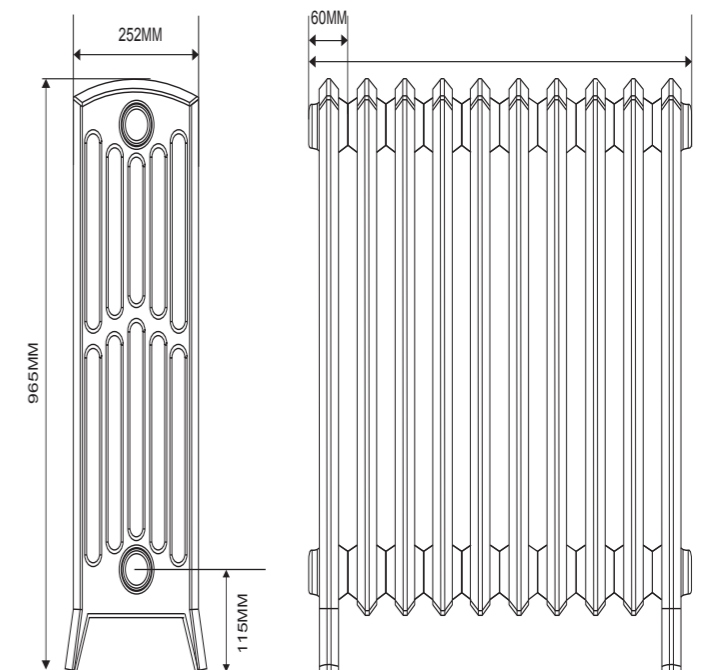


THE EDWARDIAN 965

RADIATOR DIMENSIONS	
Leg section height:	965mm
Middle section height:	900mm
Section length	60mm
Radiator depth:	252mm
INLET & EXIT	
Bottom inlet to floor:	115mm
Top inlet to floor:	920mm
Pipe centres to skirting board:	125mm
HEAT OUTPUT PER SECTION	
Delta $\Delta T$ 50°C	184Watts / 628BTUs
Delta $\Delta T$ 60°C:	232Watts / 793BTUs
RADIATOR WEIGHT	
Empty weight per leg section:	14.20Kgs
Empty weight per middle section:	13.56Kgs
Filled weight per leg section:	16.14Kgs
Filled weight per middle section:	15.36Kgs
INTERNAL VOLUME	
Leg section	1550ml
Middle section	1450ml

\*All measurements and sizes are approximate.

**Terms & Conditions**  
 It is the policy of Arroll Limited to allow a 4% +/- tolerance on all measurements and sizes provided. It is not recommended that plumbers fit pipe centres prior to the arrival and fitting of the radiator. Warranty is subject to the installation of the radiator in accordance to the fitting instructions supplied. The Arroll name including its trademark is registered property of Arroll Limited, Belfast.



**RE 485/6C - RE 655/6C RE 770/6C RE 965/6C** THE EDWARDIAN 485, 655, 770 & 965

**Arroll®**