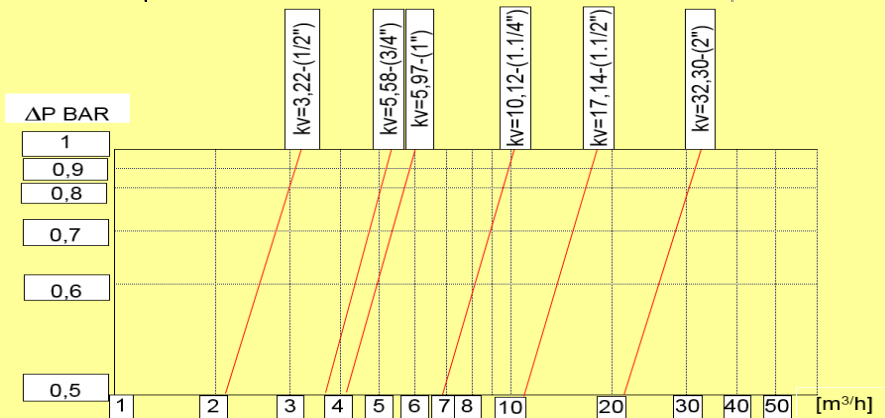
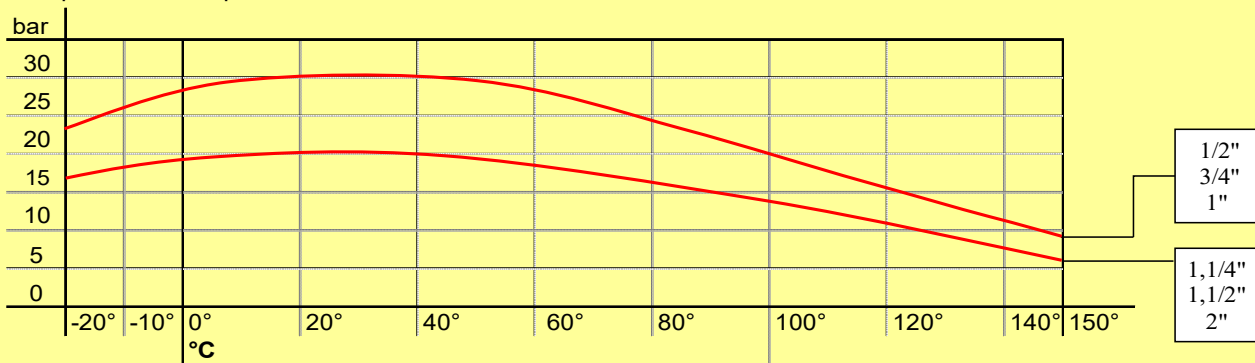


**MATERIALS**

- |                                               |                                            |
|-----------------------------------------------|--------------------------------------------|
| 1 BODY: Brass CW617N-UNIEN12165               | 8+9 FILTER: Aisi 304 + Nylon               |
| 2 END CONNECTION: Brass CW617N-UNIEN12165     | 10 FLAT SEAL: Nbr                          |
| 3 SEALS: pure PTFE                            | 11 PLUG: Brass CW614N-UNIEN12164           |
| 4 STEM: Brass CW614N-UNIEN12164               | 12 HANDLE: Zincplated steel, plastic cover |
| 5 BALL: Brass CW617N-UNIEN12165 chrome-plated | 13 NUT: Zincplated steel                   |
| 6 O-RING: Nbr                                 |                                            |
| 7 O-RING: Fkm                                 |                                            |

**TECHNICAL DATA**

pressure / temperature

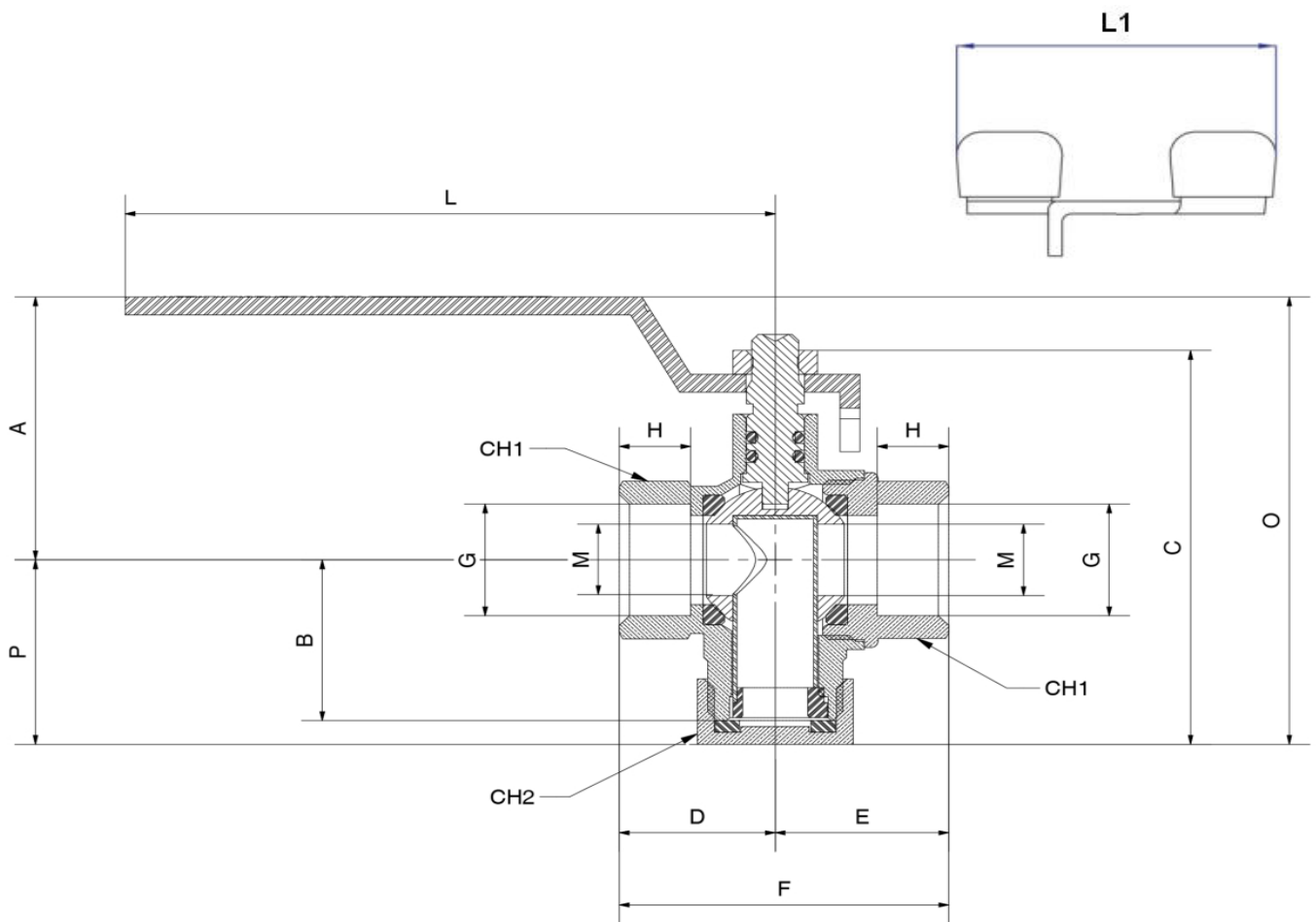


Filtration degree: **500 micron (35 mesh)**

Threads: **UNI ISO 228/1**

Working temperature: **-20° +100°C**  
 Valve conforming with directive **2014/68/EU**

**FINAL TEST**  
 conforming with **UNI EN 12266-1** points A3 or A4  
 For 1, 1/2"-2" sizes: conforming with directive **2014/68/EU**



G	A	B	C	D	E	F	H	L	L1	DN	M	O	P	CH1 OCT.	CH2 HEX.	PN Max BAR
1/2"	44,2	27	66,2	24	26,7	50,7	11	100	68	12	75,2	31	25	25	24	30
3/4"	47,4	30,9	73,5	29	32,3	61,3	13	100	68	16	82,5	35,1	31	31	30	30
1"	50,8	34,5	80,5	34,5	35,6	70,1	15	100	68	20	89,5	38,7	38	38	38	30
1,1/4"	74	46,5	106	40	45	85	17	158	-	28	125,5	51,5	48	48	46	20
1,1/2"	80	52,5	118	45,5	52	97,5	17	158	-	36	137,5	57,5	54	54	55	20
2"	88,5	63,5	143	54	63	117	20	158	-	46	157,0	68,5	66	66	65	20

#### CLEANING INSTRUCTION:

- 1 CLOSE THE VALVE
- 2 REMOVE THE PLUG
- 3 REMOVE THE FILTER
- 4 CLEAN THE FILTER
- 5 INSERT THE FILTER
- 6 ASSEMBLE THE PLUG
- 7 OPEN THE VALVE

The valve can be installed in any position: horizontal, vertical, oblique

INSTRUCTIONS: Valve opened: the handle is parallel to the body

Valve closed: the handle is perpendicular to the body

This valve must be employed according to this data sheet instruction. It can be employed for dangerous fluids.

Ref. DIRECTIVE 2014/68/EU Group 1 fluids