

Cold Water Storage Tanks  
MINI-HC Serie  
(Hot & Cold wall-mounted)



fiorini

# Cold Water Storage Tanks

## MINI-HC Serie (Hot & Cold wall-mounted)

The MINI-HC series includes heat sink tanks for "Hot & Cold" plants suitable for use with heat pumps, perform hydraulic circuit breaker functions (making the flows of the two circuits independent) and the thermal fly-wheel (to minimize the heat pump starts). The MINI-HC has two additional connections dedicated to a supplementary source.

**Material:** carbon steel

**External covering:** painted galvanized metal sheet

### Insulation

Capacity (l)	Type
40, 80	High density rigid polyurethane foam

### Operational limits

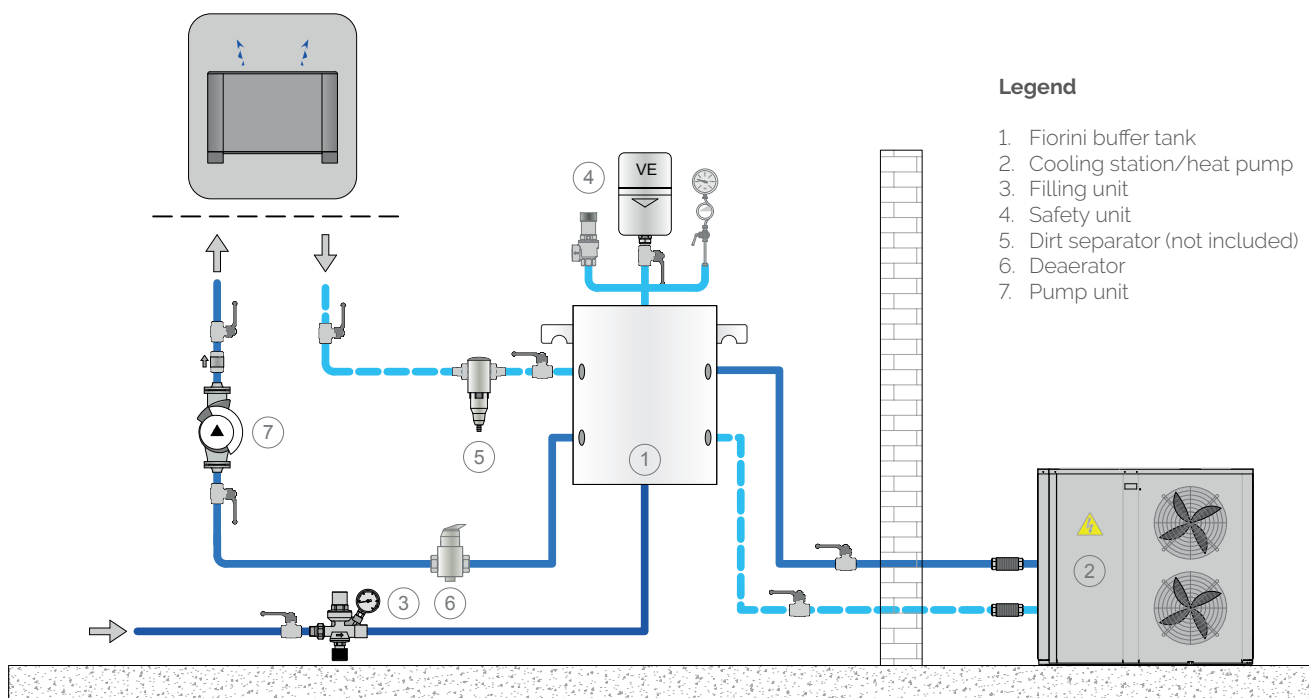
Min. temperature	Max. temperature	Max. pressure
-10 °C	90 °C	5 bar

Capacity l	MINI wall-mounted		Energy label	Vertical packaging	
	Code	Price		Dimensions cm	Weight kg
40	817010175X		B	50x50x50	25
80	817010176X		B	50x50x100	35

 **Standard Accessories:** see pag. 128



TESTED



### Legend

1. Fiorini buffer tank
2. Cooling station/heat pump
3. Filling unit
4. Safety unit
5. Dirt separator (not included)
6. Deaerator
7. Pump unit

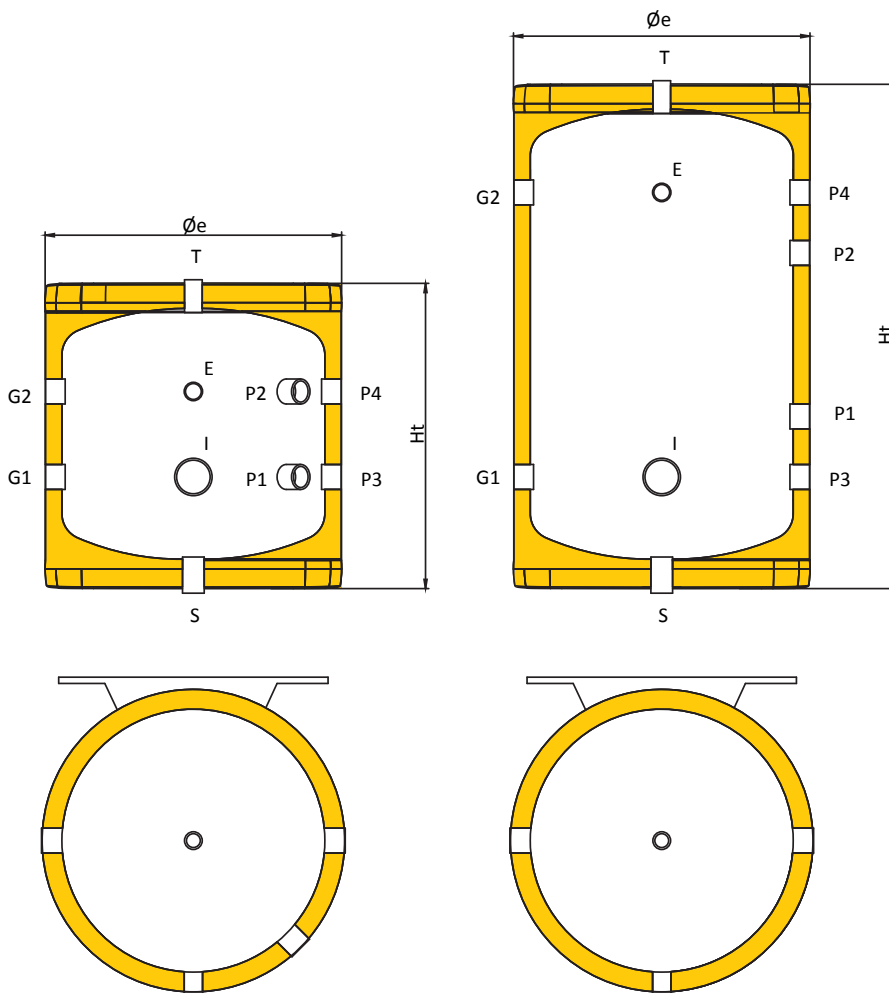
# Cold Water Storage Tanks: Dimensions

## MINI-HC series

capacity 40 l

capacity 80 l

### Legend



E	Temperature probe
G1	Return from heating
G2	Auxiliary-free
I	Electrical resistor
P1	Auxiliary-free
P2	Return from the energy source
P3	Auxiliary-free
P4	Flow to the energy source
S	Drain
T	Vent

### Couplings chart

Capacity l	E inch	G1 inch	G2 inch	I inch	P1 inch	P2 inch	P3 inch	P4 inch	S inch	T inch
40	1/2"	1"	1"	1 1/2"	1"	1"	1"	1"	3/4"	1/2"
80	1/2"	1"	1"	1 1/2"	1"	1"	1"	1"	3/4"	1/2"

### Height chart

Capacity l	Øe mm	Ht mm	R* mm	E mm	G1 mm	G2 mm	I mm	P1 mm	P2 mm	P3 mm	P4 mm	T mm
40	460	477	663	307	177	307	177	177	307	177	307	477
80	460	862	978	682	187	682	187	287	582	187	682	862

R\*: Reversal quota