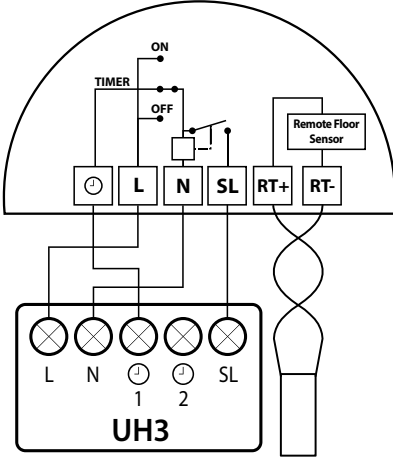




Wiring Diagram

CHWAT



Want More Information?

Central Heating New Zealand Ltd
 52 Pilkington Way, Christchurch
 Ph: 0800 3571233
 info@centralheating.co.nz
 www.centralheating.co.nz



PDF



FAQ

Rev 1.1



Central Heating NEW ZEALAND



Model: CHWAT

Installation

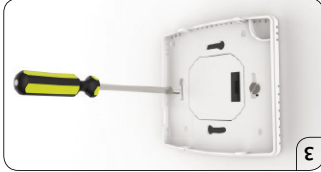


IN ORDER TO AVOID ANY RISK OF ELECTRIC SHOCK, TURN OFF THE POWER TO THE HEATING SYSTEM BEFORE COMMENCING INSTALLATION.

1. Separate the front part of the thermostat by placing a small flat head terminal driver into the slots on the bottom face of the thermostat.
2. Terminate the thermostat as shown in the wiring diagram.
3. Screw the back plate securely back onto the wall.
4. Clip the front part of the thermostat onto the back plate and turn the power back on.



4



3



2



1

Remote Sensor



The CHWAT is a flush mounted set-back thermostat and is ideal for those who want a simple but energy efficient temperature control system. The DS-5B features a set-back function. This function automatically reduces the set temperature by 4°C when no time clock signal is detected.

To achieve set-back functionality, the CHWAT must be used in conjunction with a time clock giving a switched live output.



The CHWAT provides the option to work with a remote floor temperature sensor. Sensor options can be selected using switches 3 & 4 accessible from the back of the thermostat face.

Air Only. Controlling room temperature with no floor sensor options.

Air and Floor. The thermostat controls the air temperature whilst using the floor sensor to prevent overheating of the floor system or by maintaining a minimum floor temperature.

Floor sensor only. Ideal when you only want to control the floor surface temperature. (Conservatories for example)

Sensor selection

Switch 3 = Off, Switch 4 = Off Air
 Switch 3 = On, Switch 4 = On Air + Remote Floor
 Switch 3 = Off, Switch 4 = On Remote Floor

Min & Max Floor Settings
 Switch 1 = Off, 21
 Switch 1 = On, 24
Switch 2 = Max 27 and 35,
 Switch 2 = Off, 27
 Switch 2 = On, 35

Introduction





Setting The Temperature

To change the set point, rotate the dial until it points to the desired temperature.



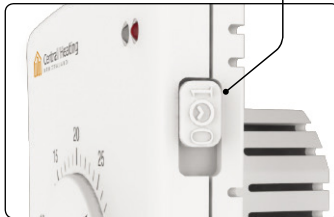
1 Constant Mode

The time clock can be bypassed by placing the switch into position 1. In this position, the thermostat will ignore the time clock input and will continuously control to the set temperature. This feature can be used to extend the heating period without the need to adjust the time clock program.

0 Off Mode

Placing the thermostat switch into position 0 will turn OFF the heating completely.

Constant Mode Position



OFF Mode Position



Set-back Operation

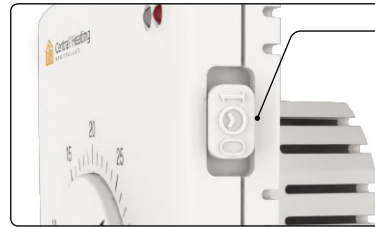
The CHWAT offers a set-back function that automatically reduces the set temperature by 4°C.

To make use of the set-back function, a 230v time clock is also required on the system.

Place the thermostat slide switch into the time clock position. ⌚

When the thermostat receives a 230v signal from the time clock it will control the temperature according to the dial setting.

When no 230v signal is received from the time clock, the thermostat will operate in setback mode and automatically reducing the set temperature by 4°C



Set-back Mode Position



LED Indication

Left LED

The left LED is the power LED. It is a two colour LED and is used to indicate the time clock / set-back status.

Right LED

The right LED indicates the heating status. It illuminates ● when the thermostat is calling for heat.



Normal Mode



Set-back Mode



Heat On