

Single Coil Cylinder Installation Detail

Single coil cylinders come supplied with the element separately. The installer will need to use the key (shown) to remove the boss/blanking plate, install the supplied element & reinstall the boss.

Please Note: The element should be installed in the downwards facing position as shown in diagram 1 to ensure complete heating of the tank.

1. Indirect Thermal Cut Out
2. Indirect Thermostat
3. 2.7kW Element
4. Enclosure Cover
5. Brass Element Boss
6. Element Thermostat
7. Probe Pocket

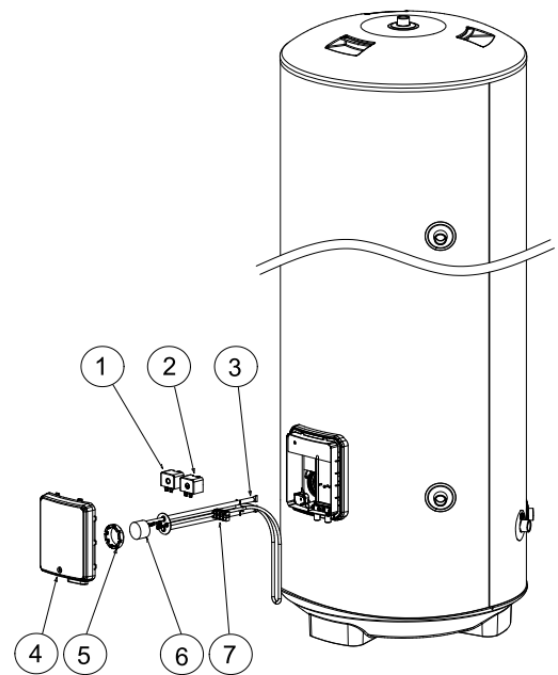
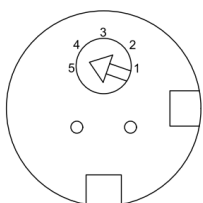


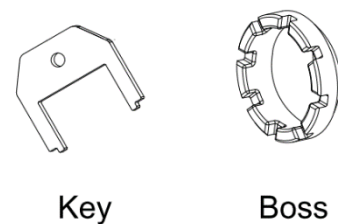
Diagram 1 – Cylinder Detail

Single Coil Cylinder Thermostat Setting



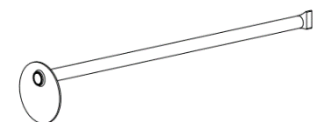
1 to 5 = (10°C to 70°C).

It's recommended that the electric element thermostat is set to between position 4 and 5 (60°C to 65°C)



Key

Boss



Element Blanking Plate

Diagram 2 – Accessories

Single Coil Cylinder Wiring Instruction

Heat Source with Probe

When installing a single coil cylinder on a heat source that can wire a DHW sensor into it such as our air to water heat pumps or Baxi Boilers, the cylinder should be wired as per diagram 3. As noted, the Indirect Thermal Cut Out and Indirect Thermostats, are not required, these along with their capillaries can be removed and discarded.

Where the heat source cannot heat the HWC above 60°C as required for legionella prevention, we recommend the element is wired through a time clock.

1. 10K NTC Sensor Wired to Heat Source
2. Power Supply
3. Electric Element & Element Thermostat with High Limit Cut Out
4. Dual Probe Pockets
5. Not Required

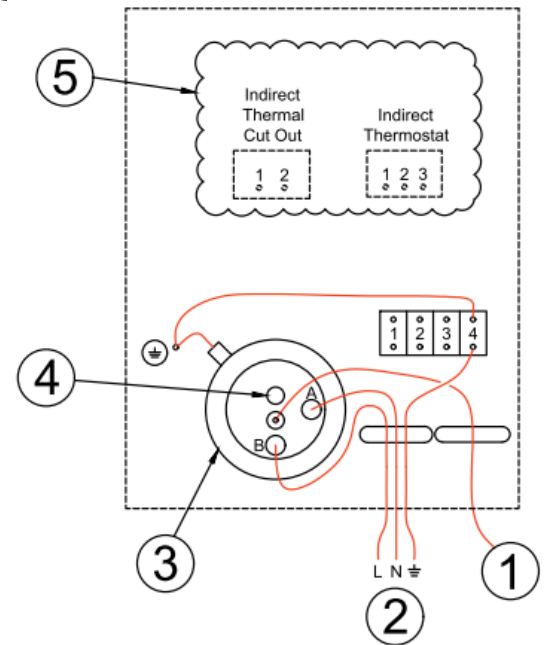


Diagram 3:
Single Coil Cylinder: Heat Source with Probe

Heat Source Without Probe

When installing a single coil cylinder on a heat source that does not have the ability to read a DHW sensor, a demand signal from the HWC will need to be wired through the Indirect Thermal Cut Out and Indirect Thermostat as shown on Diagram 4. Typically, this demand signal to turn the heat source on (and open a zone valve) would be wired through a time clock to schedule hot water production.

Where the heat source cannot heat the HWC above 60°C as required for legionella prevention, we recommend the element is wired through a time clock.

1. On/Off Signal from Time Clock
2. Power Supply
3. Electric Element & Element Thermostat with High Limit Cut Out
4. Dual Probe Pocket
5. Indirect Thermal Cut Out
6. Indirect Thermostat

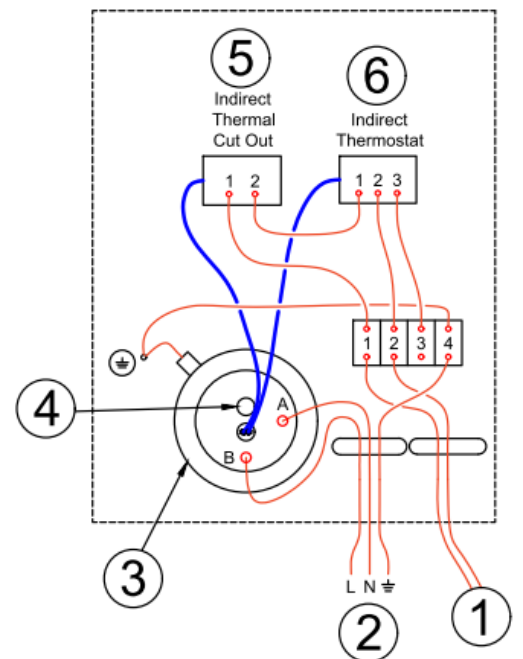


Diagram 4:
Single Coil Cylinder: Heat Source without Probe