

Customer

Technical data

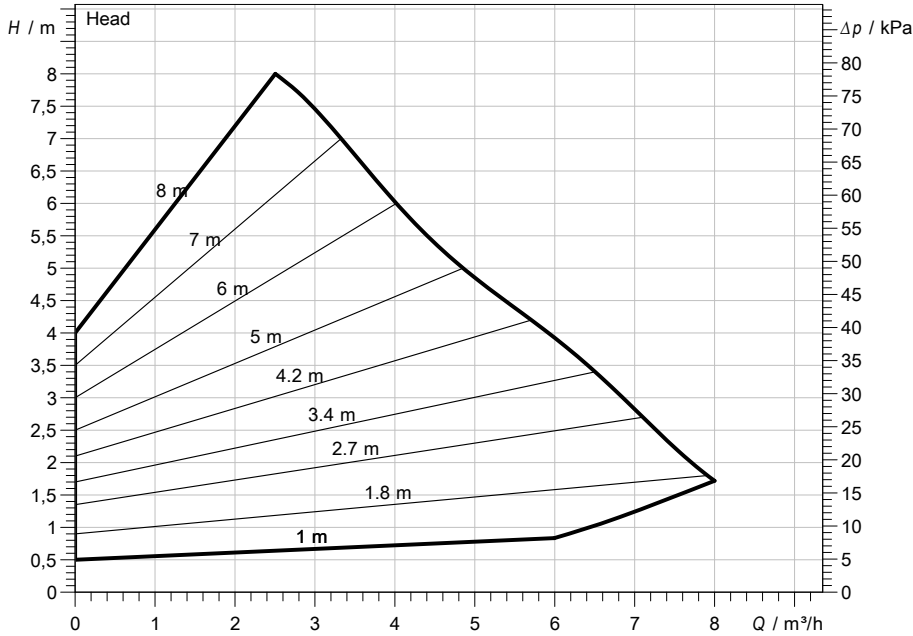
Glandless premium smart-pump Para MAXO 25-130-08-F02

Project name Untitled project 2022-02-04 09:52:58.185

Project ID
Installation location
Customer pos.no

Date 04.02.2022

Duty chart



Requested data

Flow
Head
Media Water 100 %
Fluid temperature 20,00 °C
Density 998,30 kg/m³
Kin. viscosity 1,00 mm²/s

Hydraulic data (Duty point)

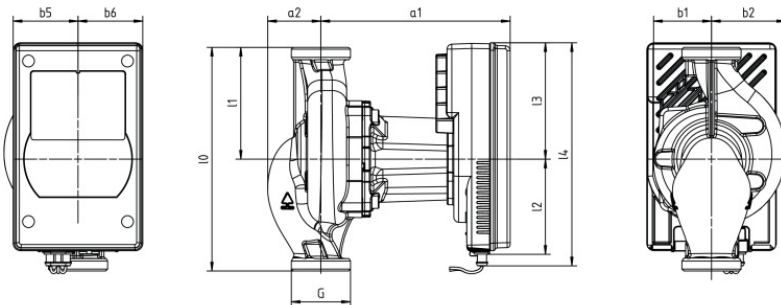
Flow
Head
Power input P1

Product data

Glandless premium smart-pump
Para MAXO 25-130-08-F02
Controller type PWM1, PWM2, 0-10V, SSM
Kind of operation dp-v
Max. operating pressure 1000 kPa
Fluid temperature -20 °C ... +110 °C
Max. ambient temperature 70 °C

Motordata per Motor/Pump

Motor design EC motor
Energy efficiency index (EEI) ≤ 0.2
Mains connection 1~ 230 V / 50 Hz
Permitted voltage tolerance +10/-15 %
Max. speed 3500
Power input P1(max) 0,13 kW
Current consumption 0,91 A
Degree of protection IPX4D
Insulation class F
Emitted interference EN 61000-6-3
Interference resistance EN 61000-6-2
Electromagnetic compatibility EN 61800-3



Dimensions

Dimensions		mm			
a1	157	b5	53	l2	77
a2	43	b6	53	l3	94
b1	47	l0	130	l4	180
b2	53	l1	65	G	G 1½, PN 10

Fitting dimensions

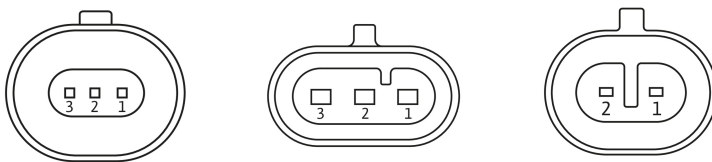
Pipe connection on the suction side G 1½, PN 10
Pipe connection on the pressure side G 1½, PN 10
Port to Port 130 mm

Materials

Pump housing EN-GJL-200
Impeller PPS-GF40
Shaft 1.4122, DLC-coated
Bearing Carbon-graphite

Information for order placements

Weight approx. 3 kg
Quantity 108
Item number 2211054



1: PWM in / 0-10V
2: GND
3: NA

1: L
2: PE
3: N

1: SSM
2: SSM