

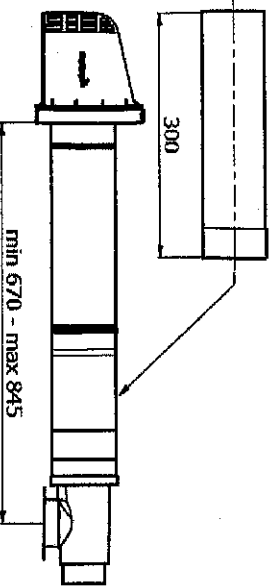
# Installation of Condensing Balanced Flue kit with Plastic terminal

5"/125mm PT Condensing balanced flue kit  
Sales code: CBF005KIT

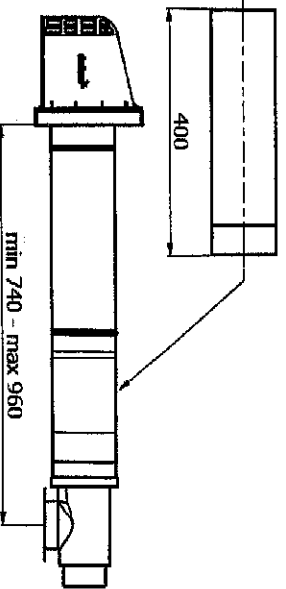


## Extras

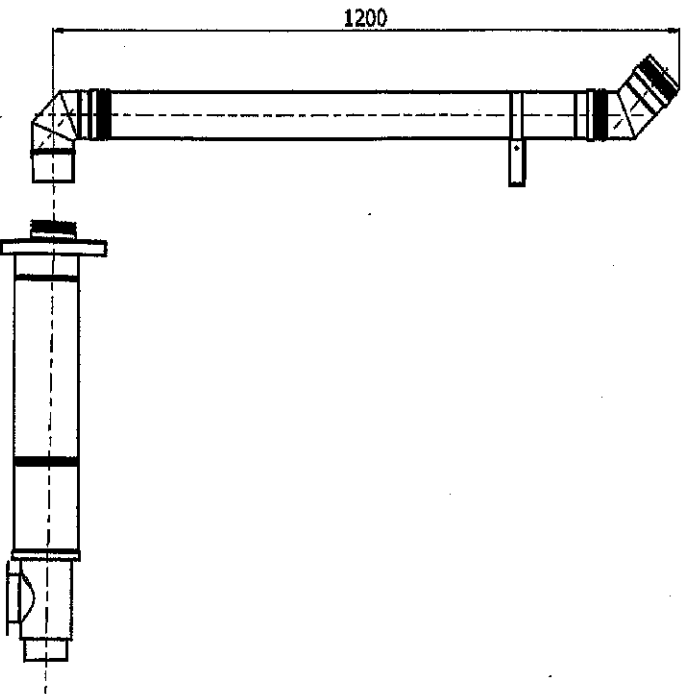
5"/125mm Condensing extension 300mm  
Sales code:



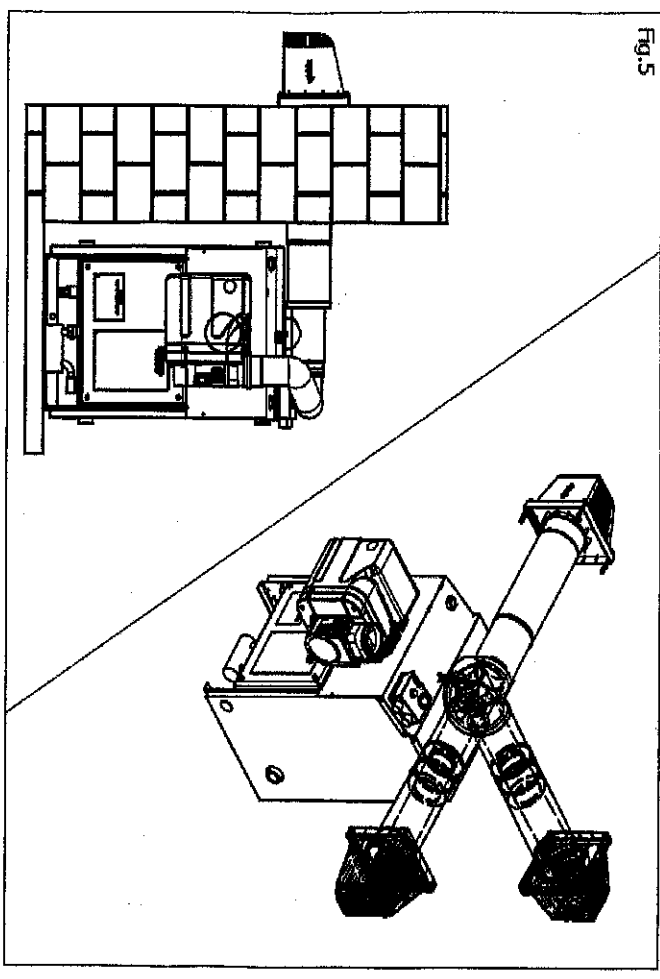
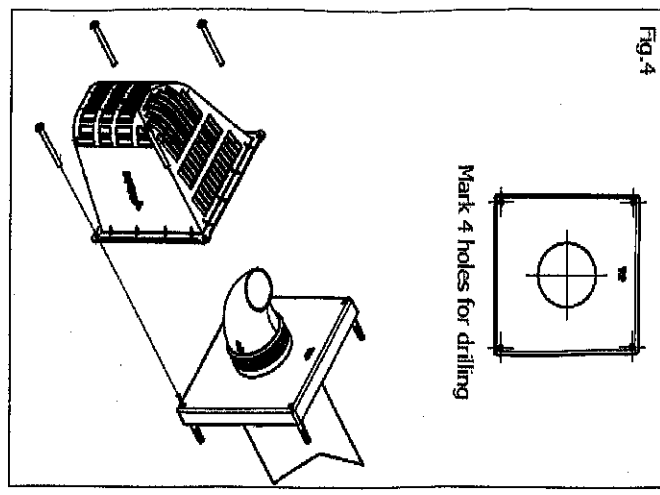
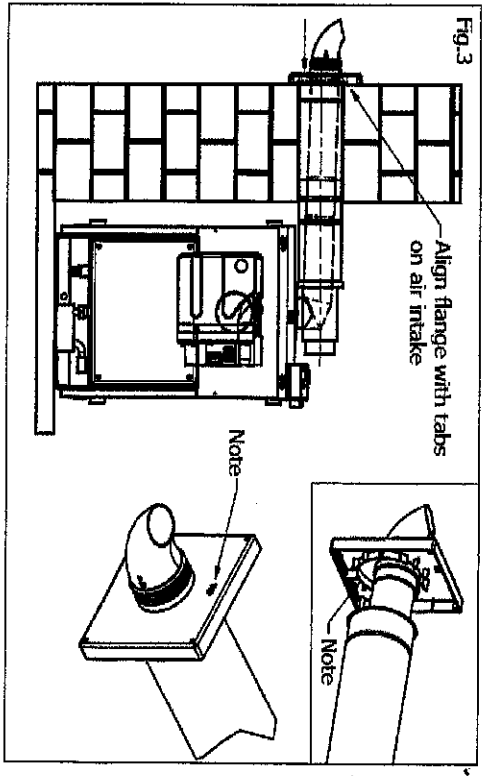
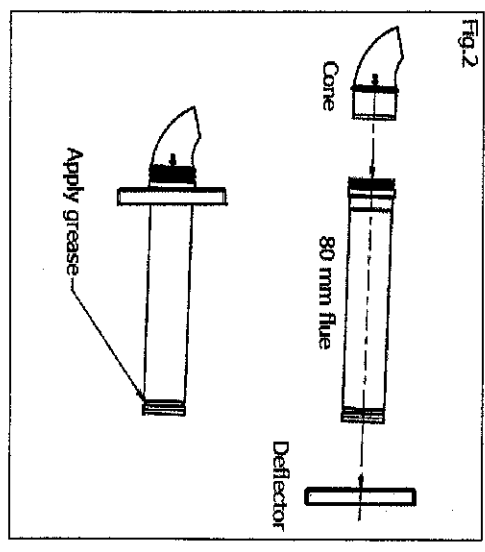
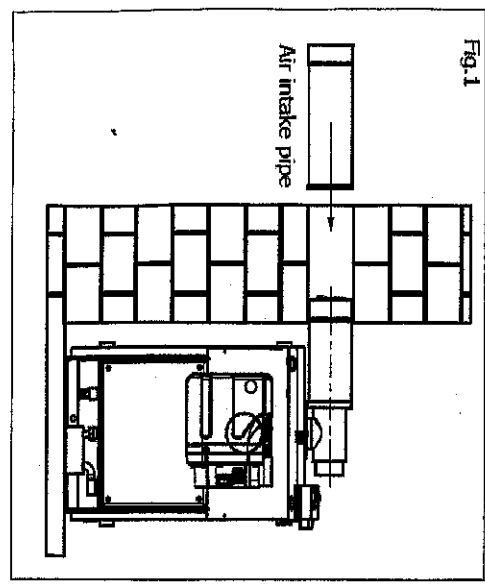
5"/125mm Condensing extension 400mm  
Sales code: CBF005EXT



Plume Dispersal Starter Kit 80mm  
Sales code: PDK005SET



# Installation of Condensing Balanced Flue Kit with Plastic terminal



Parts check list

No.	Part name	Part number	Qty	Packed
1	ø125 balanced flue adapter	415319A	1	
2	ø125 balanced flue air intake pipe	415319B	1	
3	ø80 balanced flue exhaust pipe	415319C	1	
4	CFTP deflector	114593	1	
5	CFTP guard	114594	1	
6	CFTP cone	114595	1	
7	Wall fixing kit	114957	1	
8	Silicone Grease Sachet	112359	1	